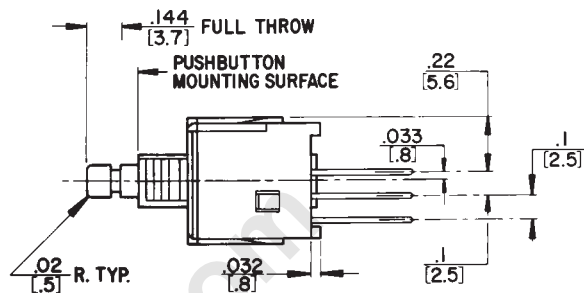
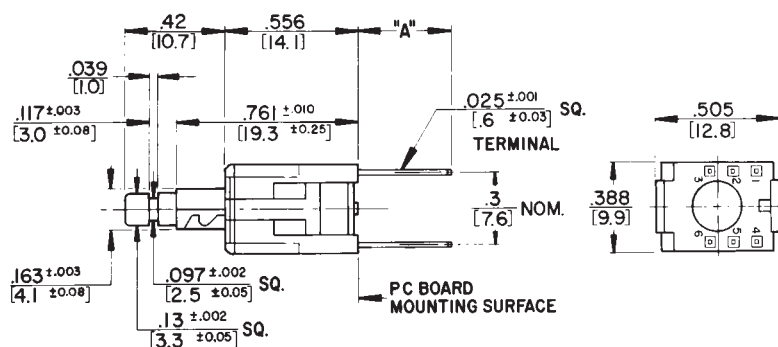
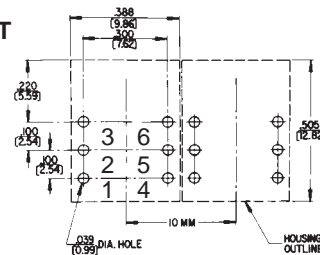


SWITCHCRAFT, INC. 5555 N. Elston Ave.  
Chicago, IL 60630 • 773 792-2700 • FAX: 773 792-2129  
www.switchcraft.com

## MINIATURE KEYBOARD SWITCHES

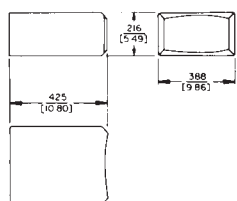


RECOMMENDED  
PC BOARD LAYOUT  
(.300 x .100)  
(Component Side)

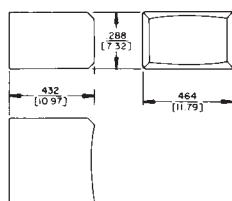


## KEYBOARD SWITCH PUSHBUTTONS

Character Height inches (mm)	Horizontal Mount (Char. Max.)		HORIZONTAL MOUNT  LEGEND AREA
	I	II	
1/8" (3.175)	3	4	
3/32" (2.381)	4	5	
5/64" (1.984)	4	5	
Character Height inches [mm]	Vertical Mount (Char. Max.)		VERTICAL MOUNT  LEGEND AREA
	I	II	
1/8" (3.175)	1	1	
3/32" (2.381)	2	2	
5/64" (1.984)	2	3	



TYPE I PUSHBUTTON



TYPE II PUSHBUTTON

DIMENSIONS ARE FOR REFERENCE ONLY  $\frac{\text{Inch}}{(\text{mm})}$

NOTE: Contact your Switchcraft Representative for price and delivery.