



**SCHROFF**

Project - 0 item(s)

**MY PROJECT LIST**

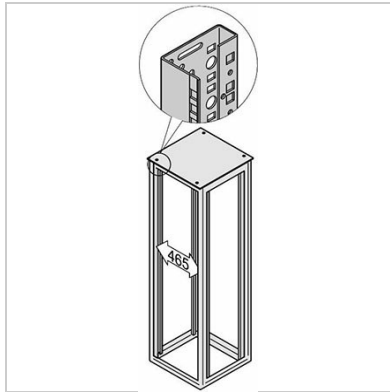
- PRODUCTS**
- APPLICATIONS**
- INDUSTRIES**
- NEW PRODUCTS**
- CONFIGURATORS**
- Products ▾
- Search
- 

Home > 19" panel/slide mount (Varistar), AlZn, 1800x49,5x76



## 19" panel/slide mount (Varistar), AlZn, 1800x49,5x76

**SCHROFF**



**Catalog Number: 23130-034**

[Back To Product](#)

- Depth-adjustable in 25 mm increments
- In accordance with IEC 60297-1 (DIN 41 494, Part 1)
- Assembly in 600 mm wide cabinets directly on the frame
- St, 2 mm, at 800 mm width adapter bracket for reduced width is necessary, for partial-height mounting depth members are necessary
- Color AlZn

**Product family:**

Varistar

**Note:**

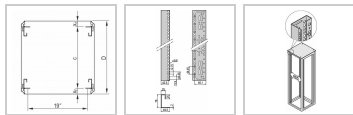
- For 19" partial-height mounting depth members are necessary
- Metric panel/slide mounts available on request

**Accessory category:**

Panel/ slide mounts



Other Views



**Select product specifications before modifying or adding to project list or requesting a quote.**

Height-U-mm-defining

Color-Surface-defining

[Clear Selection](#)

Quantity

**Modify Product** ▶

**Add Item to Project List** +

### Technical Data

<b>Height mm</b>	1800.0
<b>Length mm</b>	1695.0
<b>Qty</b>	PU 1 pair
<b>Color</b>	Al-Zn
<b>Height U</b>	38

**Documents**

- Main Catalog - Varistar Electronics
- Assembly instructions
- 3D PDF with CAD data (STEP/DWG/DXF/PDF)

### Delivery Comprises:

Item	Quantity	Description
1	2	19" panel/slide mounts, St, 1.75 mm, finish Al-Zn
2	1	Assembly kit, incl. GND/earthing

**Links**

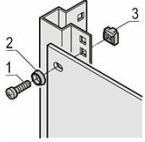
- Native CAD files

### Accessories



Dimensioning strip for 19" panel mounts, paper, white, serial numbered from 1 ... 47 U, PU 4 pieces 25127-997

**Add Item to Project List** +



19" assembly kit (screw, washer, nut), (50 × M6 × 16 screws, 50 × plastic washers, 50 × cage nuts)

21101-809

[Add Item to Project List +](#)

## EXPLORE

- [About Us](#)
- [Services & Capabilities](#)
- [News & Events](#)
- [Newsletter Subscriptions](#)
- [Strategic Partnerships](#)
- [Investor Relations](#)

## CONTACT

- [Customer Service](#)
- [Find a Sales Office or Distributor](#)
- [Global Locations](#)
- [Product Compliance & Certifications](#)
- [Partner Login](#)

## DOWNLOAD

- [Download Center](#)
- [Reference Projects](#)
- [Videos](#)
- [Product Configurators](#)
- [Warranties and Terms of Sale & Procurement](#)

© 2018 nVent. All rights reserved | [Privacy Policy](#) | [Terms of Use](#) | [Cookie Policy](#) | [Imprint](#) | [Site Map](#)

## Connect With Us

