

Series 16 PCB Tainer

### WEIGHT

0.63 g/cm (.056 oz./in.)

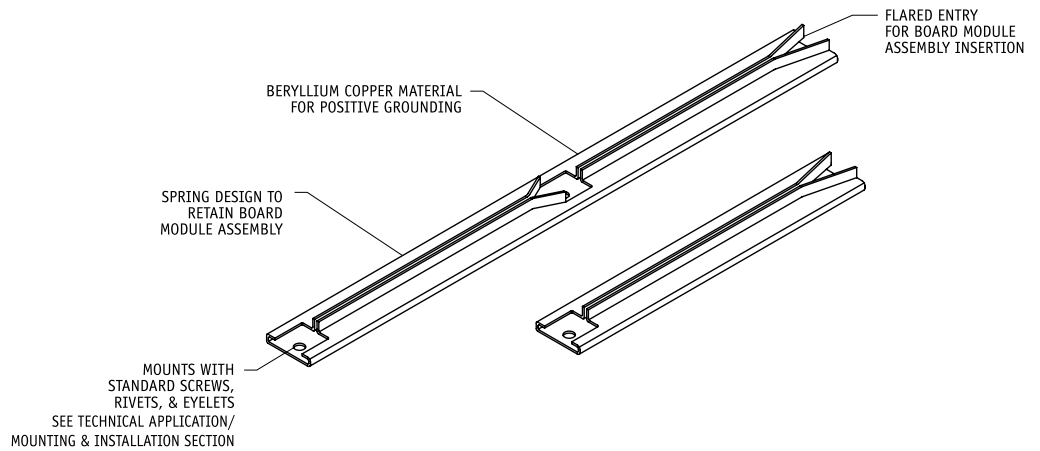
### MATERIALS AND FINISH

#### Material:

.010-in. (.25-mm)  
Beryllium Copper per  
ASTM B-194 or Stainless  
Steel per Mil-S-5059

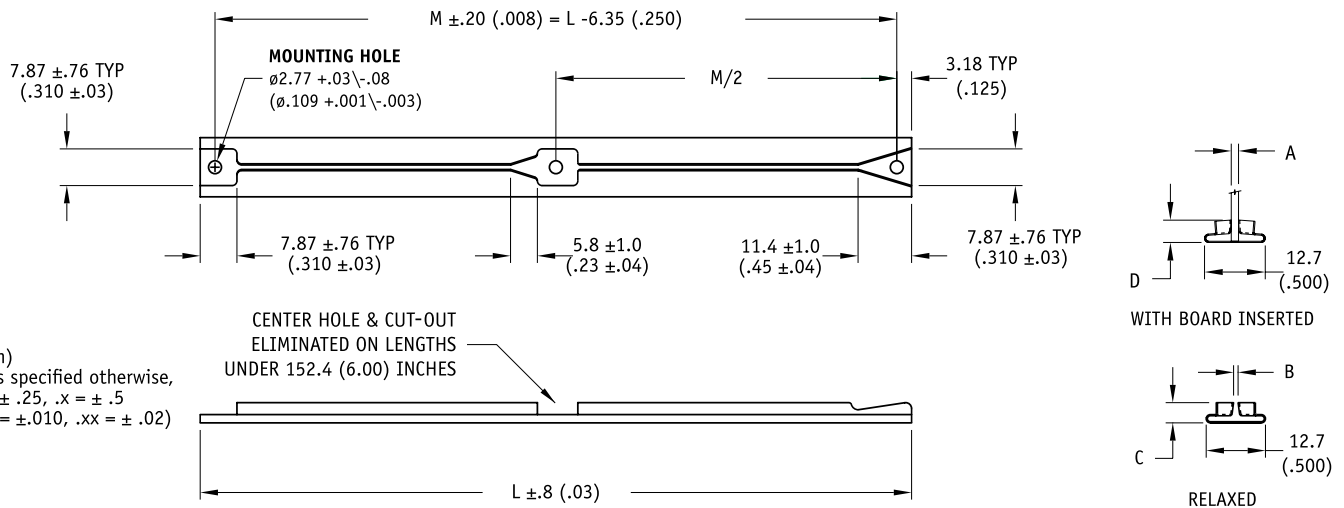
#### Finish:

See finish table on  
opposite page



### DIMENSION TABLE

SERIES #	A BOARD THICKNESS	B	C	D BERYLLIUM COPPER +.25\-.51 (+.010\-.020)	D STAINLESS STEEL .51 (.020)	F MOUNTING HOLE +.03\-.08 (.001\-.003)
16	2.38 (.094)	1.73 (.068)	4.35 (.171)	4.83 (.190)	4.83 (.190)	2.77 (.109)



### MATERIALS TABLE

CODE LETTER	MATERIAL
B	BERYLLIUM COPPER, 1/4H PER ASTM-B-194
BH	BERYLLIUM COPPER, 1/4HT PER QQ-C-533, HEAT TREATED
CR	STAINLESS STEEL, TYPE 301 COND 1/4 H PER AMS 5517

### FINISH TABLE

DASH #	
[blank]	SILVER PLATE PER QQ-S-365, TYPE III, GRADE A
-1	NONE
-3	CADMIUM PER QQ-P-416, TYPE 2, CLASS 2
-4	COPPER PLATE PER MIL-C-14550, CLASS 2
-5	GOLD PLATE PER MIL-G-45204, TYPE 1, GLASS 1
-6	NICKEL PLATE PER QQ-N-290, CLASS 1, GRADE G, BRIGHT
-7	ZINC PLATE CLEAR CHROMATE, PER ASTM-B-633, Fe/Zn 8
-8	ZINC PLATE YELLOW CHROMATE, PER ASTM-B-633, Fe/Zn 8

#### Part Number Code

Series 16 PCB-TAINER

16 B - 10 - 5

#### Material

Beryllium Copper \_\_\_\_\_ B  
or select from Materials Table

#### Length

Length in 12.7 (.50 ) increments \_\_\_\_\_ 4 [50.8 (2.00)]  
\_\_\_\_\_ to 20 [254.0 (10.00)]

#### Finish

Gold Plate \_\_\_\_\_ 5  
or select from Finish Table

No dash number required for CR material. Stainless steel parts are passivated only.

#### Part Number Code example: 16B-18-6

16 Series PCB-TAINER, Beryllium Copper, for 1.59-mm (.063-in.) thick board, 228.7-mm (9.00-in.) long, Nickel Plate finish.