

SPECIFICATIONS:

Pressure rating:

150 PSIG (10 BAR) NEMA 4x and 6
(Submersible) IP68

Materials:

Body & Nut: Nickel Plated Brass

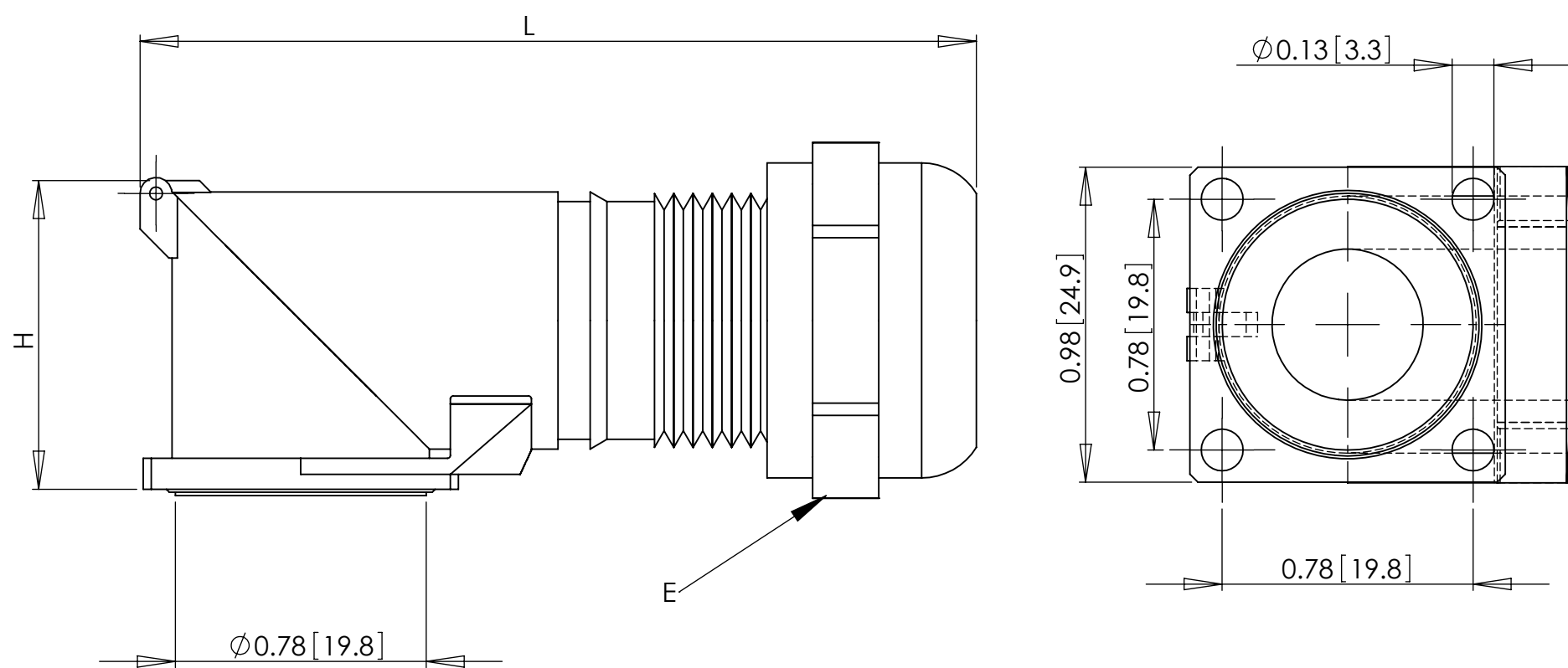
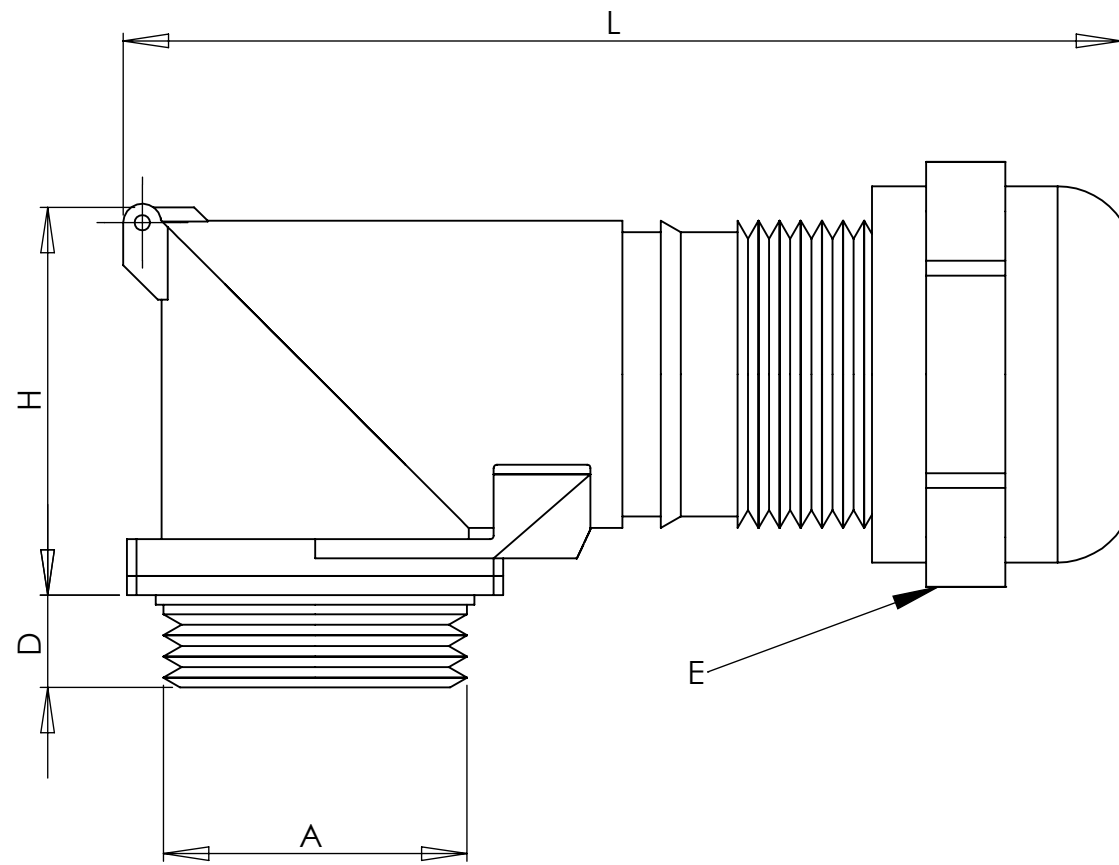
Splined Bushing: Nylon 6/6

Form Seal: Buna-N

O-Ring(Optional): Buna-N

Operating Temperature:

-40°F to 212°F (-40°C to 100°C)



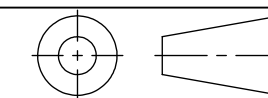
| PART NUMBERS | | CABLE RANGE inches (mm) | THREAD TYPE AND SIZE For thread specs see page 29 | DIMENSIONS INCHES (MM) | | | | |
|------------------------|--|---|--|--|------------------------------|------------------------------|--------------------------------|-----------------------------|
| with Mounting Flange | | | | A Clearance Hole $+0.010^{\circ}$ 0 | H Body Height Fittings | L Body Length Fittings | D Thread Length Fittings | E Wrenching Flat Flat |
| ED20FA-BR ED20FR-BR | | .39 - .55 (10 -14) .28 - .47 (7 -12) | Flange | .78 (20) | 1.30 (33) | 2.60(66) | NA | .98 (25) |

| PART NUMBERS | | CABLE RANGE inches (mm) | THREAD TYPE AND SIZE For thread specs see page 29 | DIMENSIONS INCHES (MM) | | | | |
|------------------------|--|---|--|--|------------------------------|------------------------------|--------------------------------|-----------------------------|
| with Connection Thread | | | | A Clearance Hole $+0.010^{\circ}$ 0 | H Body Height Fittings | L Body Length Fittings | D Thread Length Fittings | E Wrenching Flat Flat |
| ED20MA-BR ED20MR-BR | | .39 - .55 (10 -14) .28 - .47 (7 -12) | M20 x 1,5 | .79 (20) | 1.30 (33) | 2.60 (66) | .24 (6) | .98 (25) |
| ED13AA-BR ED13AR-BR | | .39 - .55 (10 -14) .28 - .47 (7 -12) | PG 13,5 | .80 (20.3) | 1.30 (33) | 2.60 (66) | .24 (6) | .98 (25) |

NOTES:

- 1) GENERAL DIMENSIONS DRAWINGS.
- 2) DIMENSIONS [] ARE IN INCHES.
- 3) DIMENSIONS NOTED ARE FOR REFERENCE ONLY.

Third angle projection



14853 HINDSDALE AVE, SUITE D
CENTENNIAL, CO 80112-4240, USA
TEL: +1-303-699-1135
TOLL FREE: +1-800-456-9012
E MAIL: info@sealconusa.com,
WEBSITE: www.sealconusa.com

