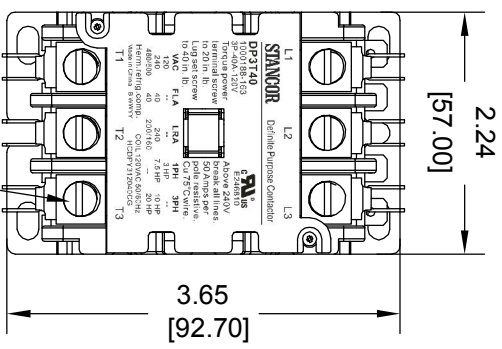


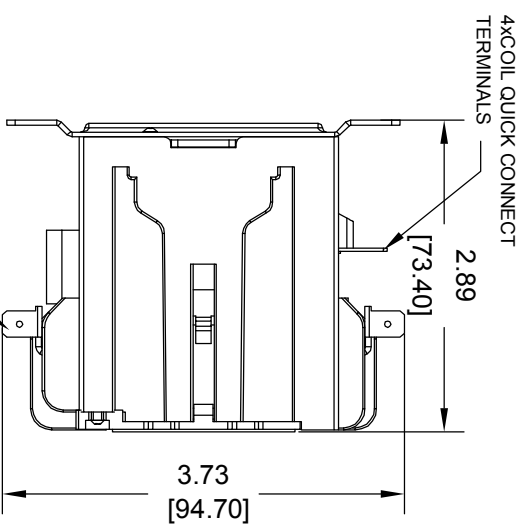
POLES	COIL VAC	FLA	RES	TERMINATION	COVER	INDIVIDUAL BOX
3	120VAC 50/60Hz	40	50	#14-2 COMPRESSION TERMINALS 2 Quick Connect Power Termination	YES	YES

COIL DATA
COIL 120VAC 50/60Hz 120 OHM 90 VAC OPERATE 19.2-81.6 VAC DROPOUT 120 VA INRUSH 21 VA SEAL MAX VOLTAGE 132 VAC

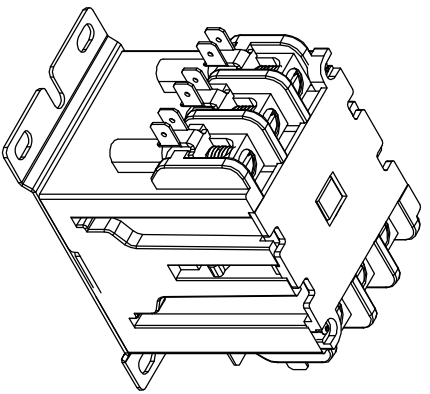
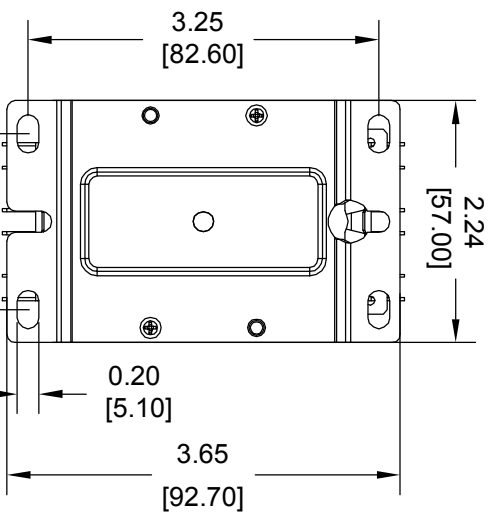
**NOTES: UNLESS OTHERWISE SPECIFIED**



RANGE #14-2 AWG  
CUL/AL AWG BOX LUG (6 PCS)



2x 250x.032 MALE  
QUICK CONNECT (6 PCS)



STANCOR Definite Purpose Contactor	
Enclosure:	OPEN
Power Poles:	3
Amp Rating:	FLA 40 RES 50
Coil Voltage:	120VAC 50/60Hz
DP3T40 1000188-163 3P-40A-120V	HCDPY312040CG BWWVY Made in China

2.76 [70.00]

2.05 [52.00]

Individual Box Label

DP3T40 1000188-163 3P-40A-120V HCDPY312040CG QTY.: 25PCS	2.17 [55.00]	1.89 [48.00]
--	--------------	--------------

Master Carton Label

L1	L2	L3
STANCOR DP3T40 1000188-163 3P-40A-120V Torque power terminal screw to 20in. lb. Lug set screw to 40in. lb. VAC 240 40 460/660 Herm'tefrig comp. Made in China	Definite Purpose Contactor FLA 40 240 200/160 COIL 120VAC 50/60Hz HCDPY312040CG	3Mius E246870 Above 240V break all lines 50 Amps per pole resistive. Out 75 C wire. 1PH 3PH 7.5HP 10HP 20HP
T1	T2	T3

Product Label

TOLERANCE
INCHES (mm)
X .001 (.025)
X.X .002 (.050)
X.XX .0006 (.150)
X.XXX .0002 (.050)
ANGLES ±1°

REV	DESCRIPTION	EGN	DMN	APPD	DATE

DESC. 3P-40A-120V

PART NO. DP3T40

2425 South 21st Street  
STANCOR  
Phoenix, AZ 85034  
www.stancor.com  
(602)275-3800

DRAWN BY:      DRAWN DATE:      CHECKED BY:      CHECKED DATE:

PAGE 1 OF 1