

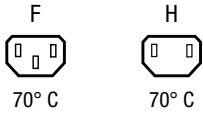
IEC Appliance Outlet F or H, Screw-on Mounting, Front Side, Solder, PCB or Quick-connect Terminal



Flange with countersunk holes



Flange with through holes special type



Description

- Panel Mount:
Screw-on mounting, from front side
- 1 Function:
- Connector, Pin temperature 70 °C, protection class I or II,
- Solder, Quick Connect or PCB Terminal

Weblinks

[pdf-datasheet](#), [html-datasheet](#), [General Product Information](#), [Approvals](#), [CE declaration of conformity](#), [RoHS](#), [CHINA-RoHS](#), [REACH](#), [Mating Connectors](#), [e-Shop](#), [SCHURTER-Stock-Check](#), [Distributor-Stock-Check](#), [CAD-Drawings](#), [Accessories](#), [Detailed request for product](#)

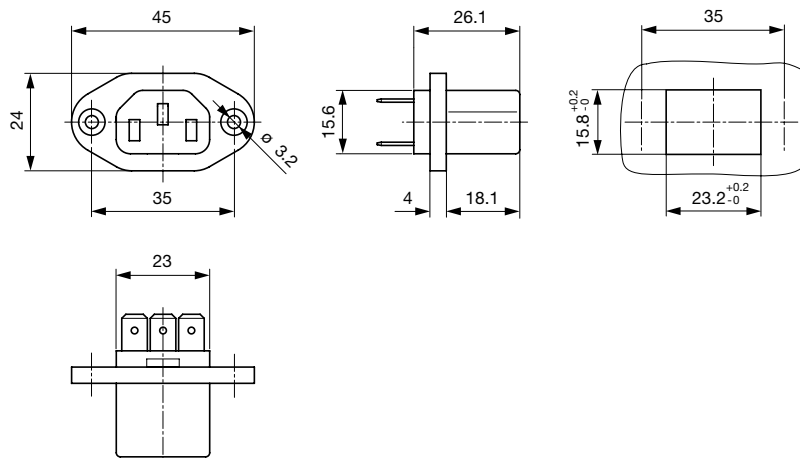
Approvals

- VDE Certificate Number: 40010295
- UL File Number: E57445
- CSA File Number: 27324

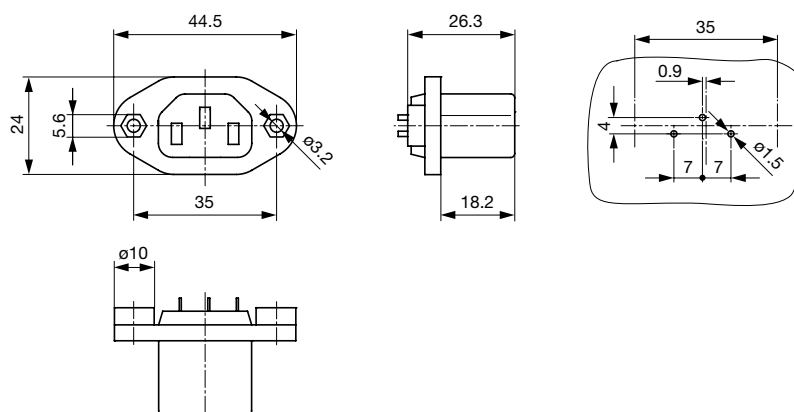
Technical Data

Ratings IEC	10 A / 250 VAC; 50 Hz
Ratings UL/CSA	15 A / 250 VAC; 60 Hz
Dielectric Strength	> 4 kVAC between L-N > 2 kVAC between L/N-PE (1 min/50 Hz)
Allowable Operation Temp.	-25 °C to 70 °C
Degree of Protection	from front side IP 20 acc. to IEC 60529
Protection Class	Suitable for appliances with protection class I or II acc. to IEC 61140
Terminal	Solder, Quick Connect or PCB Terminal straight
Material: Housing	PA6, black or grey, UL 94V-0

Dimensions



Flange with countersunk holes



Flange with through holes special type

Config. Code

5091 - H - A B C 0 - D - E O

The characters are placeholders for the correspondingly keys of selections from the key tables.

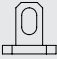


5091 - **H** - A B C 0 - D - E O = Type

Type	Configuration key
protection class II	B
protection class I	X

Terminal Ground	Configuration key
without terminal	0
solder terminal	1
PCB-terminal standard (additional solder terminal)	4
Blade terminal (6.3 x 0.8 mm)	9

Symbols similar as in table A

5091 - H - **A** B C 0 - D - E O = Terminals

Terminal L	Configuration key
solder terminal 	1
PCB-terminal standard (additional solder terminal) 	4
Blade terminal (6.3 x 0.8 mm) 	9

5091 - H - A B C 0 - **D** - E O = Color

Color	Configuration key
Black	A
Grey	B

5091 - H - A B C 0 - D - **E** O = Style

Style	Configuration key
flange with countersunk holes	1
flange with through holes	2
flange with through holes (special type)	7

5091 - H - A **B** C 0 - D - E O = Terminals

Terminal N	Configuration key
solder terminal	1
PCB-terminal standard (additional solder terminal)	4
Blade terminal (6.3 x 0.8 mm)	9

Symbols similar as in table A

5091 - H - A B C 0 - D - E **O** = Features

Features	Configuration key
not used	0
dead cover	1
holder for 1 fuse (text legible, when inlet on top)	2
holder for 1 fuse (text legible, when inlet on bottom)	3
holder for 1 or 2 fuses (text legible, when inlet on top)	4

5091 - H - A B **C** 0 - D - E O = Terminals

Features	Configuration key	Features	Configuration key
holder for 1 or 2 fuses (text legible, when inlet on bottom)	5	thermal circuit breaker for rated current 8A	C
voltage selector with 1 fuse	6	thermal circuit breaker for rated current 10A	D
voltage selector with 2 fuses	7	thermal circuit breaker for rated current 15A	E
thermal circuit breaker for rated current 4A	A	thermal circuit breaker for rated current 20A	F
thermal circuit breaker for rated current 6A	B		

All Variants

Config. Code	Description	Order Number
5091-X-1110-B-1	5091, IEC Appliance Outlet , 70°C, version: I, L: solder terminal, N: solder terminal, ground: solder terminal, color: Grey, design: flange with countersunk holes, dimension S:	6182.0002
5091-X-4440-A-7	5091, IEC Appliance Outlet , 70°C, version: I, L: PCB-terminal standard (additional solder terminal), N: PCB-terminal standard (additional solder terminal), ground: PCB-terminal standard (additional solder terminal), color: Black, design: flange with through holes (special type), dimension S:	6182.0004
5091-X-4440-B-7	5091, IEC Appliance Outlet , 70°C, version: I, L: PCB-terminal standard (additional solder terminal), N: PCB-terminal standard (additional solder terminal), ground: PCB-terminal standard (additional solder terminal), color: Grey, design: flange with through holes (special type), dimension S:	6182.0005
5091-X-9990-A-1	5091, IEC Appliance Outlet , 70°C, version: I, L: Blade terminal (6.3 x 0.8 mm), N: Blade terminal (6.3 x 0.8 mm), ground: Blade terminal (6.3 x 0.8 mm), color: Black, design: flange with countersunk holes, dimension S:	6182.0006
5091-X-9990-B-1	5091, IEC Appliance Outlet , 70°C, version: I, L: Blade terminal (6.3 x 0.8 mm), N: Blade terminal (6.3 x 0.8 mm), ground: Blade terminal (6.3 x 0.8 mm), color: Grey, design: flange with countersunk holes, dimension S:	6182.0008

The listed variants should be available from stock Other versions on request www.schurter.com/contact

Most Popular.

Availability for all products can be searched real-time: <http://www.schurter.com/en/Stock-Check/Stock-Check-SCHURTER>

Packaging unit 100 Pcs

Mating Inlets/Plugs

Category / Description

Appliance Inlet Overview complete



IEC Appliance Inlet C14, Screw-on Mounting, Front or Rear Side, Solder or Quick-connect Terminal	6100-3
IEC Appliance Inlet C14, Snap-in Mounting, Front Side, Solder or Quick-connect Terminal	6100-4
IEC Appliance Inlet C14, mates to Felcom	6150
IEC Appliance Inlet C14, Snap-in Mounting, Solder, Quick-connect, Screw or PCB Terminal	6010
IEC Appliance Inlet C14, Snap-in Mounting, Front Side, Solder or Quick-connect Terminal	0711
Appliance Inlet further types to 5091	...

Distribution Unit Overview complete



Distribution Unit for Snap-in Mounting with 1 IEC Appliance Inlet C14 and 1 Appliance Outlet F	0712
Distribution Unit with 1 IEC Appliance Inlet C14 and 2 Appliance Outlets F, Shuttered	4741
Distribution Unit with 1 IEC Appliance Inlet C14 and 4 Appliance Outlets F	4747
Distribution Unit with 1 IEC Appliance Inlet C14 or Power Cord, 5 or 6 IEC Appliance Outlets F and Extra Components	4740
EMC Power Strip with Line Filter	FLBB
Distribution Unit further types to 5091	...

Power Entry Module Overview complete



IEC Appliance Inlet C14 or C18 with Line Switch 1- or 2-pole	DC11
IEC Appliance Inlet C14 with Line Switch 1-pole	KEB1
IEC Appliance Inlet C14 with Line Switch 2-pole	KEB2
IEC Appliance Inlet C14 with Line Switch 2-pole	DC21
IEC Appliance Inlet C14 with Line Switch 2-pole, Fuseholder 1- or 2-pole	DD11
Power Entry Module further types to 5091	...

Category / Description

[Power Entry Module with line filter Overview complete](#)

IEC Appliance Inlet C14 with Filter, Line Switch 1-pole	KFB1
IEC Appliance Inlet C14 with Filter, Line Switch 2-pole	KFB2
IEC Appliance Inlet C14 with Filter, Line Switch 1- or 2-pole, Front or Rear Side Mounting	DC12
IEC Appliance Inlet C14 with Filter, Line Switch 1- or 2-pole, PCB Mounting	DC22
IEC Appliance Inlet C14 with Filter, Fuseholder 1- or 2-pole, Line Switch 2-pole	DD12
Power Entry Module with line filter further types to 5091	...