

1SET411205R0000 ✓ ACTIVE

ENTRELEC

TE Internal #: 1SET411205R0000

Wiring Duct Cover, PVC, 8.9 mm [.35 in] Height, 2000 mm [78.74 in]

Length, 100 mm [3.937 in] Width, -5 – 60 °C [23 – 140 °F]

[View on TE.com >](#)



Wire Protection & Management > Wiring Ducts & Accessories > Wiring Ducts & Covers > Wiring Duct Covers: PVC, Gray, 2 meters [2000mm]



Wiring Duct Product Type: **Wiring Duct Cover**

Primary Product Material: **PVC**

Product Height: **8.9 mm [.35 in]**

Product Length: **2000 mm [78.74 in]**

Product Width: **100 mm [3.937 in]**

[All Wiring Duct Covers: PVC, Gray, 2 meters \[2000mm\] \(6\)](#)

Features

Product Type Features

Wiring Duct Product Type	Wiring Duct Cover
--------------------------	-------------------

Body Features

Primary Product Color	Gray
Primary Product Material	PVC

Dimensions

Product Height	8.9 mm[.35 in]
Product Length	2000 mm[78.74 in]
Product Width	100 mm[3.937 in]

Usage Conditions

Operating Temperature Range	-5 – 60 °C[23 – 140 °F]
-----------------------------	-------------------------

Packaging Features

Packaging Quantity	4
--------------------	---

Product Compliance

[For compliance documentation, visit the product page on TE.com>](#)

EU RoHS Directive 2011/65/EU	Compliant
EU ELV Directive 2000/53/EC	Out of Scope
China RoHS 2 Directive MIIT Order No 32, 2016	No Restricted Materials Above Threshold
EU REACH Regulation (EC) No. 1907/2006	Current ECHA Candidate List: JAN 2025 (247) Candidate List Declared Against: JUNE 2023 (235) Does not contain REACH SVHC
Halogen Content	Not Low Halogen - contains Br or Cl > 900 ppm.
Solder Process Capability	Not reviewed for solder process capability

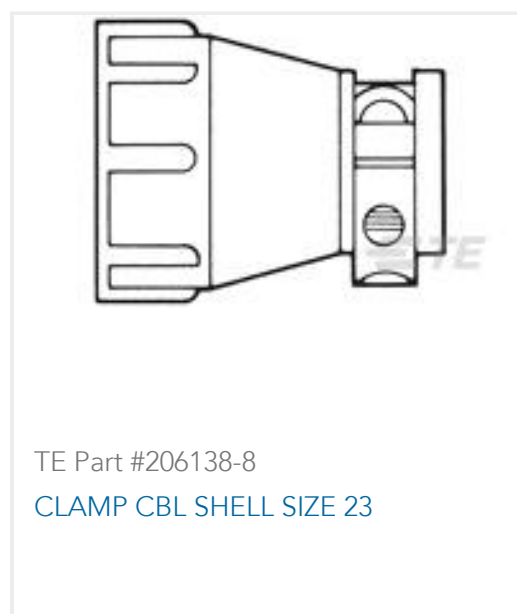
Product Compliance Disclaimer

This information is provided based on reasonable inquiry of our suppliers and represents our current actual knowledge based on the information they provided. This information is subject to change. The part numbers that TE has identified as EU RoHS compliant have a maximum concentration of 0.1% by weight in homogenous materials for lead, hexavalent chromium, mercury, PBB, PBDE, DBP, BBP, DEHP, DIBP, and 0.01% for cadmium, or qualify for an exemption to these limits as defined in the Annexes of Directive 2011/65/EU (RoHS2). Finished electrical and electronic equipment products will be CE marked as required by Directive 2011/65/EU. Components may not be CE marked. Additionally, the part numbers that TE has identified as EU ELV compliant have a maximum concentration of 0.1% by weight in homogenous materials for lead, hexavalent chromium, and mercury, and 0.01% for cadmium, or qualify for an exemption to these limits as defined in the Annexes of Directive 2000/53/EC (ELV). Regarding the REACH Regulation, the information TE provides on SVHC in articles for this part number is based on the latest European Chemicals Agency (ECHA) 'Guidance on requirements for substances in articles' posted at this URL: <https://echa.europa.eu/guidance-documents/guidance-on-reach>

Compatible Parts



Customers Also Bought



Documents

Product Drawings

[WD-1-CP-GR100](#)

French

CAD Files

[3D PDF](#)

3D

Customer View Model

[ENG_CVM_CVM_1SET411205R0000_A.2d_dxf.zip](#)

English

Customer View Model

[ENG_CVM_CVM_1SET411205R0000_A.3d_igs.zip](#)

English

Customer View Model

[ENG_CVM_CVM_1SET411205R0000_A.3d_stp.zip](#)

English

By downloading the CAD file I accept and agree to the [Terms and Conditions](#) of use.

Datasheets & Catalog Pages

[Infographic - entrelec ews-linecard](#)

English

[Datasheet - Entrelec Electrical-Solutions](#)

[Datasheet - ENTRELEC-wiring-duct-DS](#)

English

[Essential Entrelec Terminal Blocks](#)

French

[Essential Entrelec Terminal Blocks](#)

1SET411205R0000

Wiring Duct Cover, PVC, 8.9 mm [.35 in] Height, 2000 mm [78.74 in] Length, 100 mm [3.937 in] Width, -5 – 60 °C [23 – 140 °F]



English

[Essential Entrelec Terminal Blocks](#)

Japanese

[Agency Approvals](#)

[Agency Approval Document](#)

English