

1SNG626153R0000 ✓ ACTIVE

ENTRELEC

TE Internal #: 1SNG626153R0000

Cable Gland, Standard Threaded, PA 6, 5 – 10.2 mm Clamping Range, Black, IP68

[View on TE.com >](#)



Wire Protection & Management > Cable Glands > Plastic Cable Glands With Locknut



Cable Gland Product Type: **Cable Gland**

Cable Gland & Accessory Style: **Standard Threaded**

Primary Product Material: **PA 6**

Clamping Diameter Range: **5 – 10.2 mm**

Outer Thread Type: **PG**

[All Plastic Cable Glands With Locknut \(177\)](#)

Features

Product Type Features

Cable Gland Product Type	Cable Gland
Cable Gland & Accessory Style	Standard Threaded
Sealable	Yes

Body Features

Primary Product Material	PA 6
Primary Product Color	Black

Dimensions

Clamping Diameter Range	5 – 10.2 mm
Outer Thread Size	PG11
Thread Length	8 mm [.315 in]

Usage Conditions

Operating Temperature Range	-20 – 100 °C [-4 – 212 °F]
-----------------------------	----------------------------

Industry Standards



UL Flammability Rating	UL 94V-2
Outer Thread Type	PG
IP Rating	IP68

Packaging Features

Packaging Method	Bag
------------------	-----

Product Compliance

[For compliance documentation, visit the product page on TE.com>](#)

EU RoHS Directive 2011/65/EU	Compliant
EU ELV Directive 2000/53/EC	Compliant
China RoHS 2 Directive MIIT Order No 32, 2016	有害物质含量符合标准要求 No Restricted Substance(s) Above Threshold
EU REACH Regulation (EC) No. 1907/2006	Current ECHA Candidate List: JUNE 2025 (250) Candidate List Declared Against: JUNE 2025 (250) Does not contain REACH SVHC
Halogen Content	Not Yet Reviewed for halogen content
Solder Process Capability	Not reviewed for solder process capability

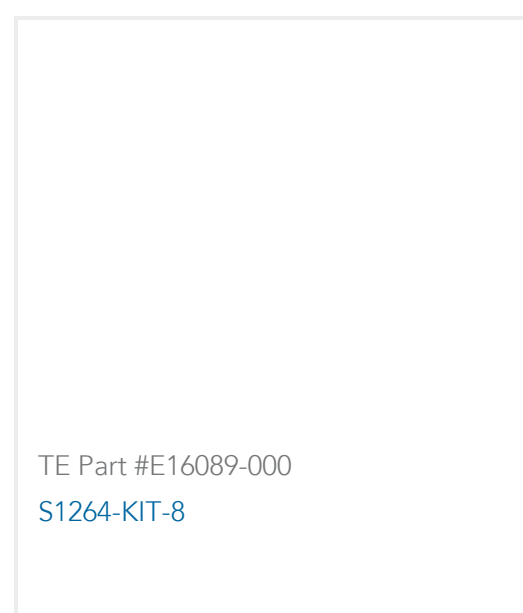
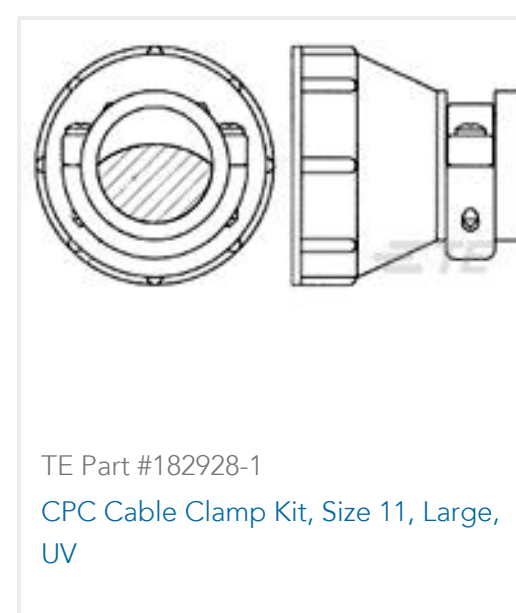
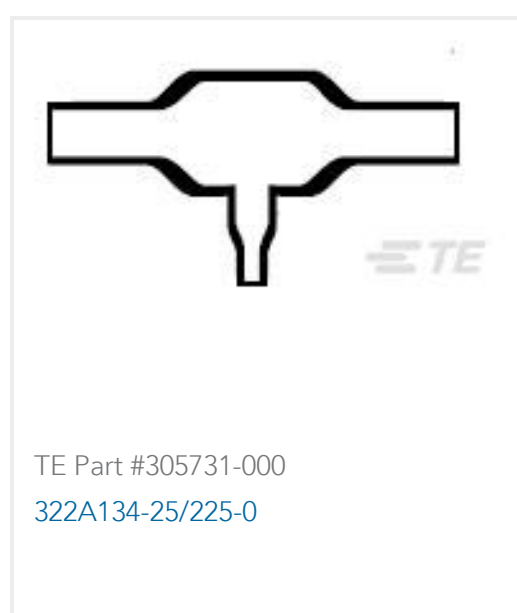
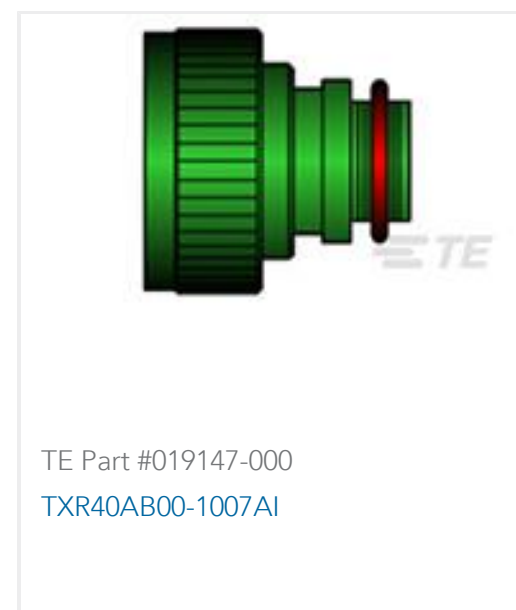
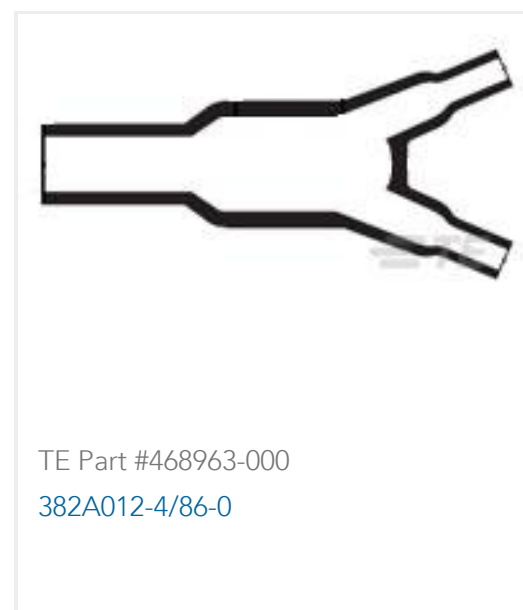
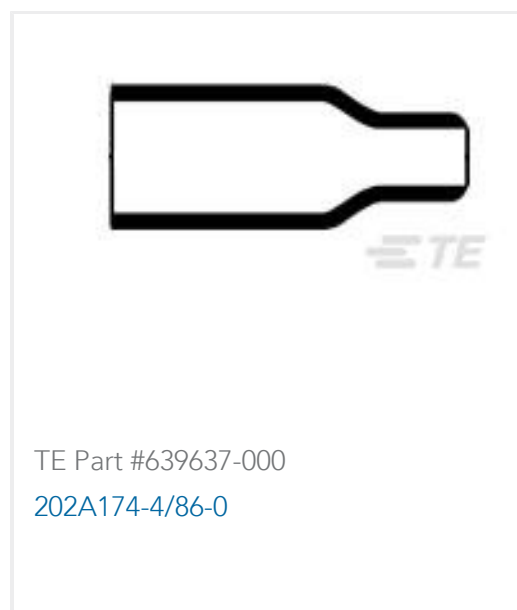
Product Compliance Disclaimer

This information is provided based on reasonable inquiry of our suppliers and represents our current actual knowledge based on the information they provided. This information is subject to change. The part numbers that TE has identified as EU RoHS compliant have a maximum concentration of 0.1% by weight in homogenous materials for lead, hexavalent chromium, mercury, PBB, PBDE, DBP, BBP, DEHP, DIBP, and 0.01% for cadmium, or qualify for an exemption to these limits as defined in the Annexes of Directive 2011/65/EU (RoHS2). Finished electrical and electronic equipment products will be CE marked as required by Directive 2011/65/EU. Components may not be CE marked. Additionally, the part numbers that TE has identified as EU ELV compliant have a maximum concentration of 0.1% by weight in homogenous materials for lead, hexavalent chromium, and mercury, and 0.01% for cadmium, or qualify for an exemption to these limits as defined in the Annexes of Directive 2000/53/EC (ELV). Regarding the REACH Regulation, the information TE provides on SVHC in articles for this part number is based on the latest European Chemicals Agency (ECHA) 'Guidance on requirements for substances in articles' posted at this URL: <https://echa.europa.eu/guidance-documents/guidance-on-reach>

Compatible Parts



Customers Also Bought



Documents

Product Drawings

[EP-SGL-PG11-BL-B](#)

English

CAD Files

[3D PDF](#)

[3D](#)

[Customer View Model](#)

[ENG_CVM_CVM_1SNG626153R0000_A.2d_dxf.zip](#)



English

Customer View Model

[ENG_CVM_CVM_1SNG626153R0000_A.3d_igs.zip](#)

English

Customer View Model

[ENG_CVM_CVM_1SNG626153R0000_A.3d_stp.zip](#)

English

By downloading the CAD file I accept and agree to the [Terms and Conditions](#) of use.

Datasheets & Catalog Pages

[Catalog - ENTRELEC Cable Glands](#)

English

Agency Approvals

[CE Declaration of Conformity](#)

English