



Elite CT-58

Multi-Throw Internal Terminations DC-26.5GHz

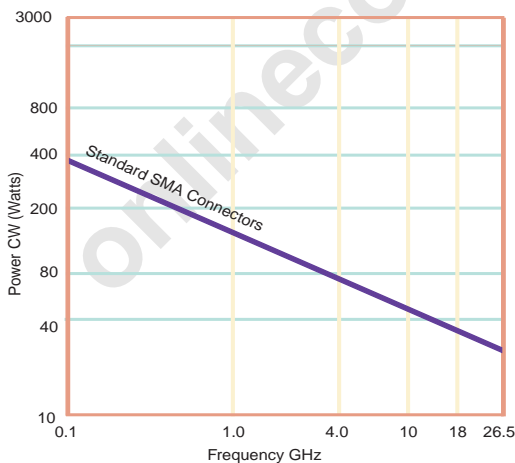
Normally Open

The CT-58 Switch is an internally terminated, broadband, multi-throw, electromechanical coaxial switch designed to switch a microwave signal from a common input to any of 3, 4, 5, or 6 outputs. The characteristic impedance is 50 Ohms. Internal terminations provide an impedance match for the unselected ports. The switches are small using the popular connector spacing on a 1.062" dia. circle. Each position has an individual actuator mechanism allowing random position selection. This also minimizes switching time.

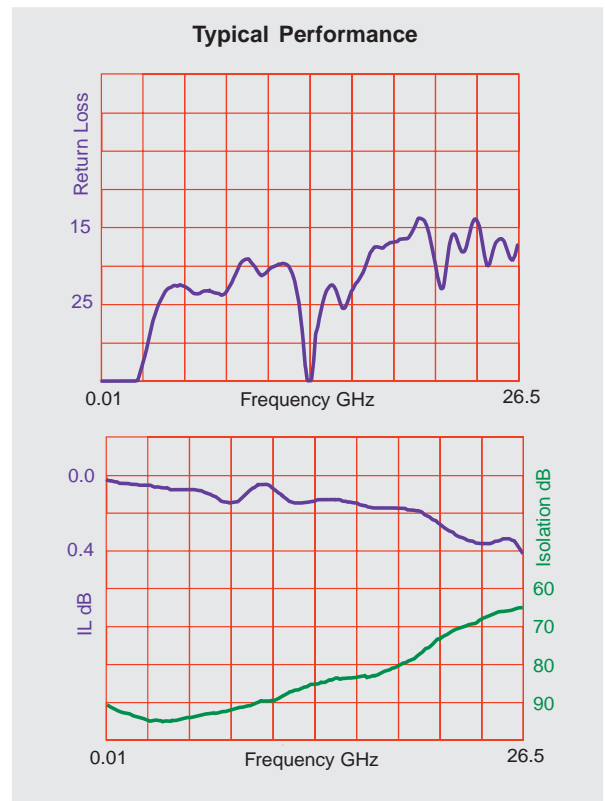
The CT-58 comes with a normally open actuator. For the normally open actuator, all ports are terminated in 50 Ohms, except the common input port which is open when the switch is de-energized.

Specifications

RF Contacts:	Break before make			
Actuator	Voltage (VDC) 20°C	12	15	28
	Current (mA)	170	136	180
Switching Time:	15 msec max			
Terminations:	50 Ohm 2 Watts CW max			
Connectors:	SMA (f)			
Weight:	6 oz. max			
Temperature Range:	-55°C to +85°C (Operating)			
Shock:	MIL-STD-202 Method 213, Condition D (500G Non Operating)			
Vibration:	MIL-STD-202 Method 214, Condition D (10G RMS Non Operating)			
Humidity:	Moisture Seal Available			
Typical Contact Life:	5 Million Cycles			
RF Power Handling (Non-Terminated)				



Specifications	DC-6 GHz	6-12 GHz	12-18 GHz	18-26.5 GHz
VSWR (max)	1.25:1	1.40:1	1.50:1	1.80:1
Insertion Loss (min)	0.20 dB	0.40 dB	0.50 dB	0.80 dB
Isolation (max)	70.0 dB	60.0 dB	60.0 dB	50.0 dB



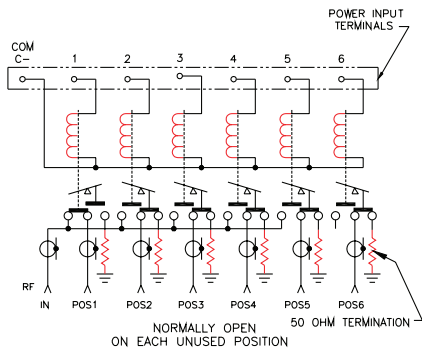
Specifications subject to change without notice.

www.teledynecoax.com
email: coax@teledyne.com

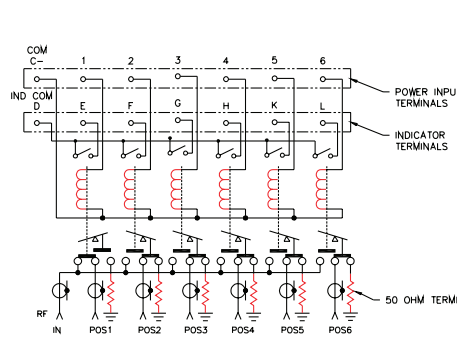
Elite CT-58

Multi-Throw Internal Terminations DC-26.5GHz

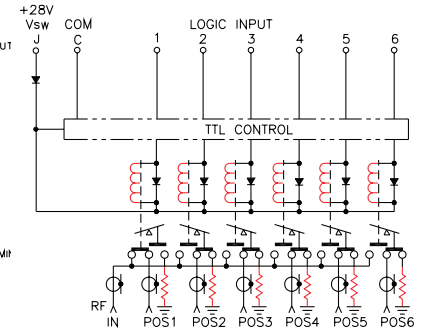
Normally Open



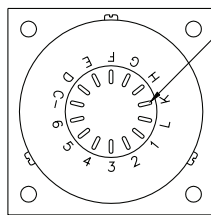
Analog



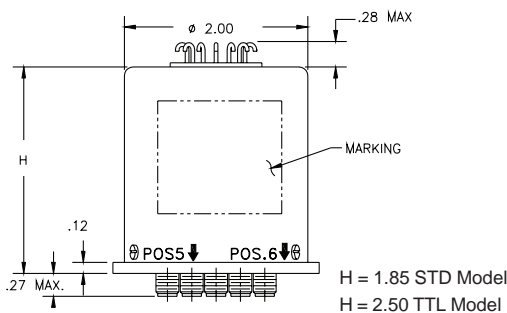
Indicators



TTL

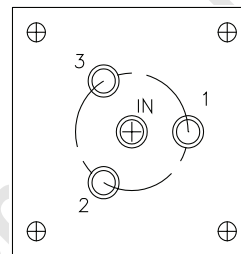


14X SOLDER TERMINALS
SOLDER WIRE USING SN63,
MAXIMUM TEMP 210°C FOR
NO MORE THAN 5 SEC.

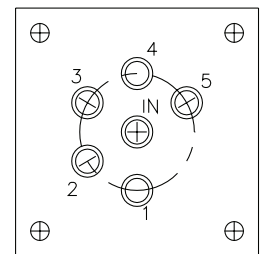


H = 1.85 STD Model
H = 2.50 TTL Model

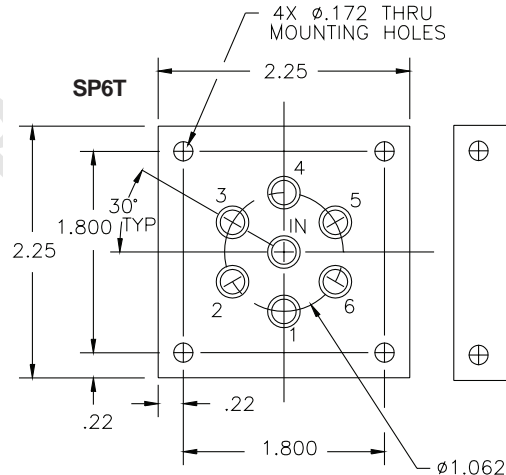
SP3T



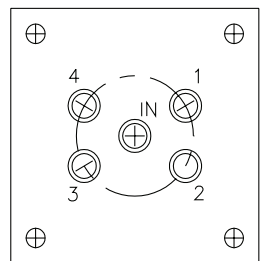
SP5T



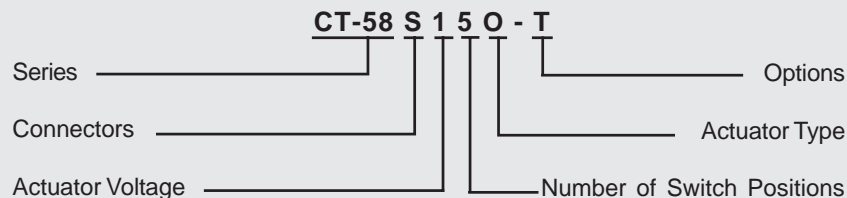
SP6T



SP4T



Part Numbering System for CT-58 (Normally Open)



Connector
S: SMA Female

Actuator Voltage
1: 28Vdc Normally Open
2: 15Vdc Normally Open
3: 12Vdc Normally Open

Number of Positions
3: SP3T
4: SP4T
5: SP5T
6: SP6T

Actuator Type
O: No Indicator Contacts
C: Indicator Contacts

Options
T: TTL Drivers with Diodes
R: Positive + Common
TD: TTL Driver with Decoder

For other options contact Factory