



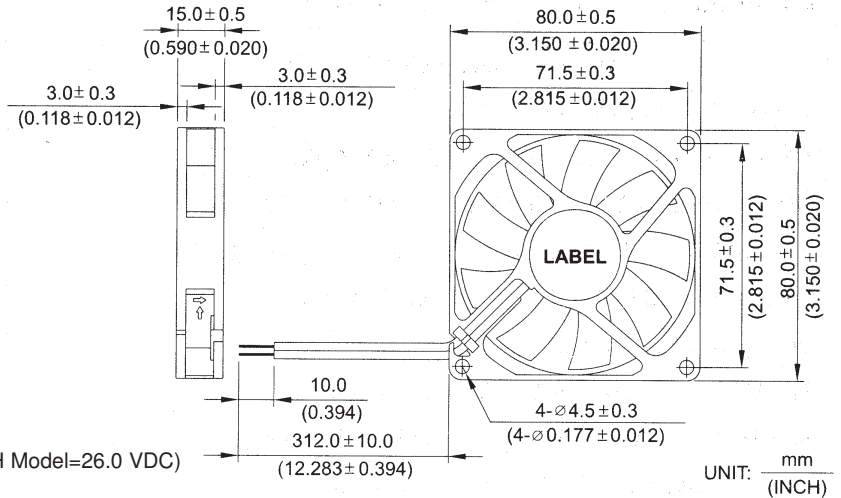
**USTF8015 Series**

**Size:** 3.15 in sq. x .59 in. thk  
(80mm sq. x 15mm thk.)

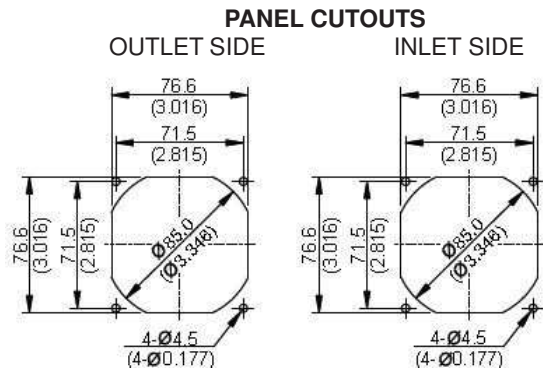
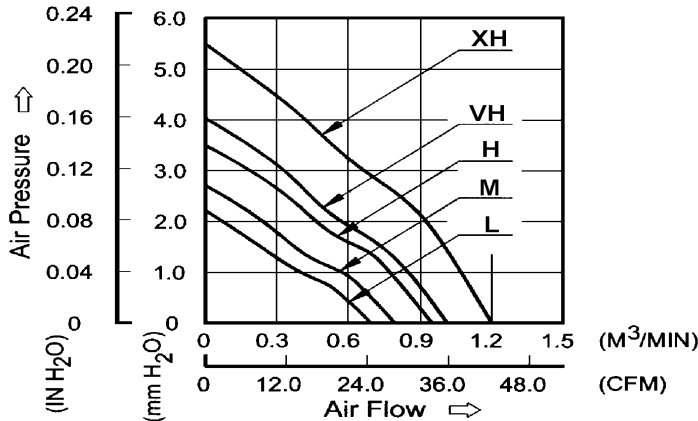
**Airflow:** 24.7 - 42.7 CFM

**Acoustical Noise:** 27.5 - 42.4 dB (A)

- MATERIAL:** Frame - Black PBT (UL 94V-0)  
Bearings - Ball  
Impeller - Black PBT (UL 94V-0)
- WEIGHT:** 2.05 oz. (58g)
- TERMINATION:** Lead Wires (UL 1007, AWG24)
- OPERATION TEMPERATURE:** -10° to +70° C
- INSULATION RESISTANCE:** 10 megohms min @ 500 VDC
- DIELECTRIC STRENGTH:** 500 VAC for 1 min.
- INSULATION:** Class A
- SAFETY:** Impedance & Polarity Protected
- SAFETY APPROVALS:** UL, CSA & CE
- OPERATING VOLTAGE:** 12 VDC (7 to 13.8)  
24 VDC (14 to 27.6 / except XH Model=26.0 VDC)



**PERFORMANCE CURVES:** (Obtained with test chamber and methods in accordance with AMCA Std. 210-74)



**SPECIFICATIONS:** (All values are typical)

PART NUMBER	VOLTS	WATTS	AMPS	RPM	NOISE dB (A) @ 1M	CFM
USTF801512XHW	12VDC	3.24	0.27	4000	42.5	42.7
USTF801512VHW	12VDC	2.28	0.16	3400	37.0	35.7
USTF801512HW	12VDC	1.68	0.14	3100	34.0	33.6
USTF801512MW	12VDC	1.32	0.11	2700	30.5	28.3
USTF801512LW	12VDC	1.08	0.09	2400	27.5	24.7
USTF801524XHW	24VDC	4.08	0.17	4000	42.5	42.7
USTF801524VHW	24VDC	2.88	0.10	3400	37.0	35.7
USTF801524HW	24VDC	1.92	0.08	3100	34.0	33.6
USTF801524MW	24VDC	1.44	0.06	2700	30.5	28.3
USTF801524LW	24VDC	1.20	0.05	2400	27.5	24.7

MODELS AVAILABLE ON REQUEST:

Failure Detector - rotation sensing - Add Suffix "SR" to part number  
Speed Controller - tach output - Add Suffix "SF" to part number