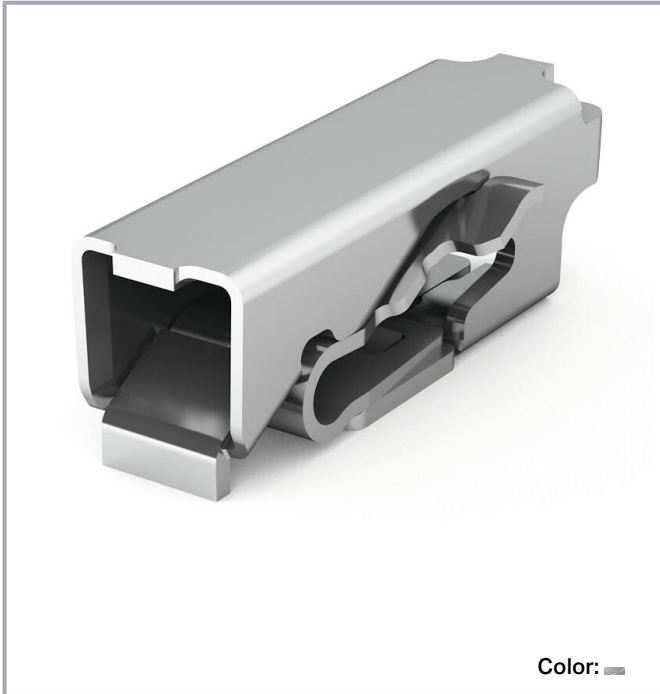


**Data sheet | Item number: 2065-100/998-403**

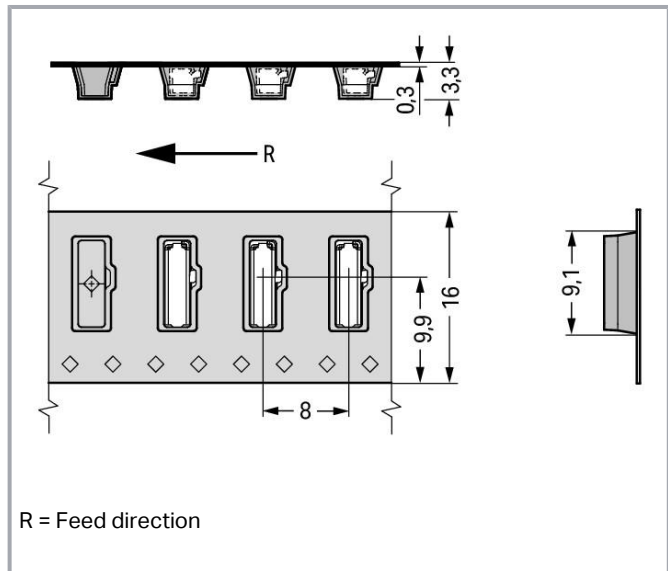
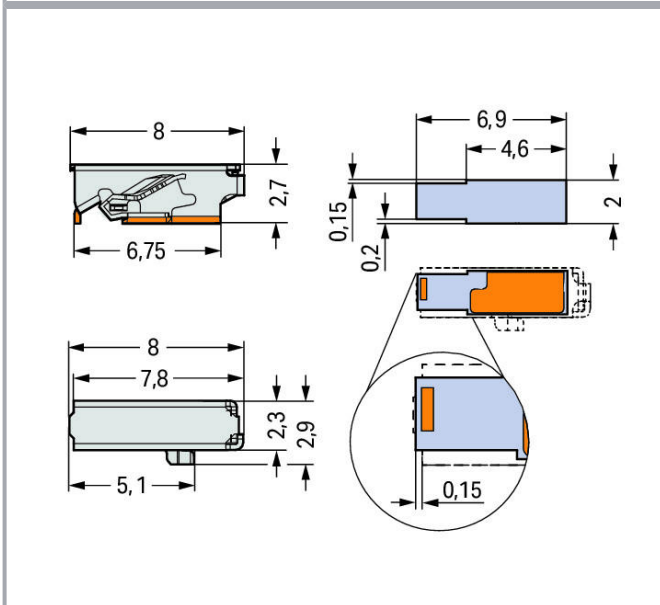
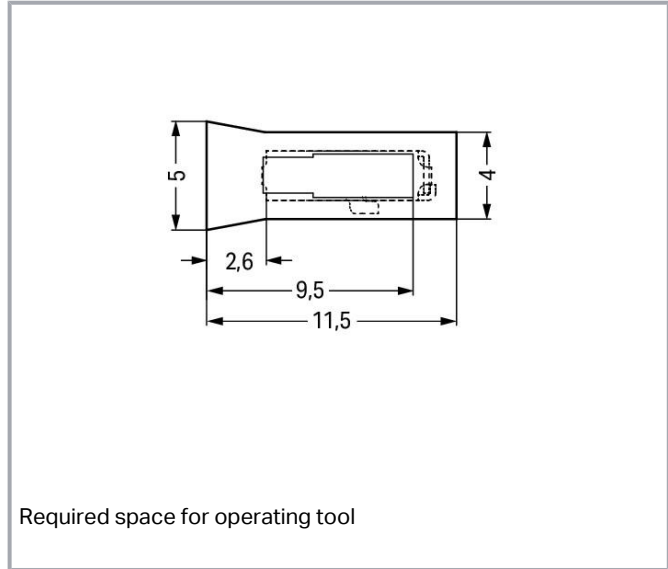
SMD PCB terminal block; push-button; 0.75 mm<sup>2</sup>; Pin spacing 6.5 mm; 1-pole; Push-in CAGE CLAMP®; in tape-and-reel packaging; Without housing; 0,75 mm<sup>2</sup>; silver-colored



[www.wago.com/2065-100\\_998-403](http://www.wago.com/2065-100_998-403)



Color: ■



Subject to changes. Please also observe the further product documentation!

WAGO Kontakttechnik GmbH & Co. KG  
Hansastr. 27  
32423 Minden  
Phone: +49571 887-0 | Fax: +49571 887-169  
Email: [info.de@wago.com](mailto:info.de@wago.com) | Web: [www.wago.com](http://www.wago.com)

Do you have any questions about our products?  
We are always happy to take your call at +49 (571) 887-44222.



## Item description

- SMD PCB terminal block with push-button and Push-in CAGE CLAMP® connection technology
- Push-in termination of solid conductors
- Convenient termination/removal of fine-stranded conductors via push-button and operating tool
- Height of just 2.7 mm
- Available in tape-and-reel packaging for automated assembly
- Also available in a PUSH WIRE® variant without push-button (only for solid conductors)

### Note:

The ratings are based on an example pin spacing of 6.5 mm.

The layout must meet the requirements of the insulation coordination standard EN/IEC 60664-1 and applicable end product standards.

### Safety information 1:

**NOTE: Terminal block without insulation housing! Protection against accidental contact must be provided at voltages higher than low voltages (e. g., SELV/PELV) for the relevant application.**

## Data

### Electrical data

### Ratings per IEC/EN

Ratings per	IEC/EN 60664-1
Rated voltage (III/2)	320 V
Rated surge voltage (III/2)	4 kV
Nominal voltage (II/2)	630 V

Subject to changes. Please also observe the further product documentation!

WAGO Kontakttechnik GmbH & Co. KG  
Hansastr. 27  
32423 Minden  
Phone: +49571 887-0 | Fax: +49571 887-169  
Email: [info.de@wago.com](mailto:info.de@wago.com) | Web: [www.wago.com](http://www.wago.com)

Do you have any questions about our products?  
We are always happy to take your call at +49 (571) 887-44222.



Rated surge voltage (II/2)	4 kV
Rated current	9 A
Legend (ratings)	(III / 2) $\triangleq$ Overvoltage category III / Pollution degree 2

### Ratings per UL

Rated voltage UL 1977	600 V
Rated current UL 1977	9 A

### Connection data

Connection technology	Push-in CAGE CLAMP <sup>®</sup>
Actuation type	Push-button
Solid conductor	0.2 ... 0.75 mm <sup>2</sup> / 24 ... 18 AWG
Fine-stranded conductor	0.2 ... 0.75 mm <sup>2</sup> / 24 ... 18 AWG
Strip length	7.5 ... 9.5 mm / 0.3 ... 0.37 inch
Conductor connection direction to PCB	0°
Pole No.	1
Total number of connection points	1
Total number of potentials	1
Number of connection types	1
Number of levels	1

### Physical data

Pin spacing	6.5 mm / 0.256 inch
Width	2.9 mm / 0.114 inch
Height	2.7 mm / 0.106 inch
Depth	8 mm / 0.315 inch
Reel diameter of tape-and-reel packaging	330 mm
Tape width	16 mm

### PCB contact

PCB Contact	SMD
-------------	-----

### Material data

Color	silver-colored
Clamping spring material	Chrome nickel spring steel (CrNi)
Contact material	Copper alloy

Subject to changes. Please also observe the further product documentation!

Contact plating	tin-plated
Weight	0.1 g

### Environmental requirements



Limit temperature range	-60 ... +120 °C
-------------------------	-----------------

### Commercial data


Packaging type	BOX
Country of origin	CH
GTIN	4055143665469
Customs tariff number	85369010000

### Approvals / Certificates

#### Country specific Approvals

Logo	Approval	Additional Approval Text	Certificate name
	<b>CB</b> DEKRA Certification B.V.	EN 60947-7-4	NL-49896 (IEC 60947-7- 4:2013)
	<b>KEMA/KEUR</b> DEKRA Certification B.V.	EN 60947-7-4	71- 102154
	<b>KEMA/KEUR</b> DEKRA Certification B.V.	EN 60998	71- 102159

#### UL-Approvals

Logo	Approval	Additional Approval Text	Certificate name
	<b>UR</b> Underwriters Laboratories Inc.	UL 1977	E45171 sec. 25

### Optional accessories

#### General accessories

Subject to changes. Please also observe the further product documentation!



	<b>Item no.: 2065-131</b> Board-to-Board Link; Pin spacing 6.5 mm; Length: 15.6 mm; silver-colored	<a href="http://www.wago.com/2065-131">www.wago.com/2065-131</a>
	<b>Item no.: 2065-133</b> Board-to-Board Link; Pin spacing 6.5 mm; Length: 17.6 mm; silver-colored	<a href="http://www.wago.com/2065-133">www.wago.com/2065-133</a>
<b>Tool</b>		
	<b>Item no.: 2065-189</b> Operating tool; made of insulating material; white	<a href="http://www.wago.com/2065-189">www.wago.com/2065-189</a>

## Downloads

### Documentation

#### Additional Information

Technical explanations	2019 Apr 3	pdf 2.0 MB	Download
------------------------	------------	---------------	----------

## CAD/CAE-Data

### CAD data

2D/3D Models 2065-100/998-403	URL	Download
-------------------------------	-----	----------

### PCB Design

Symbol and Footprint 2065-100/998-403	URL	Download
---------------------------------------	-----	----------

CAX data for your PCB design, consisting of "schematic symbols and PCB footprints", allow easy integration of the WAGO component into your development environment.

### Supported formats:

- Accel EDA 14 & 15
- Altium 6 to current version
- Cadence Allegro
- DesignSpark
- Eagle Libraries
- KiCad
- Mentor Graphics BoardStation
- Mentor Graphics Design Architect
- Mentor Graphics Design Expedition 99 and 2000
- OrCAD 9.X PCB and Capture
- PADS PowerPCB 3, 3.5, 4.X, and 5.X
- PADS PowerPCB and PowerLogic 3.0

Subject to changes. Please also observe the further product documentation!



- PCAD 2000, 2001, 2002, 2004, and 2006
- Pulsonix 8.5 or newer
- STL
- 3D STEP
- TARGET 3001!
- View Logic ViewDraw
- Quadcept
- Zuken CadStar 3 and 4
- Zuken CR-5000 and CR-8000

PCB Component Libraries (EDA), PCB CAD Library Ultra Librarian

---

#### CAE data

	URL	Download
ZUKEN Portal 2065-100/998-403		

---

#### Environmental Product Compliance

##### Compliance Search

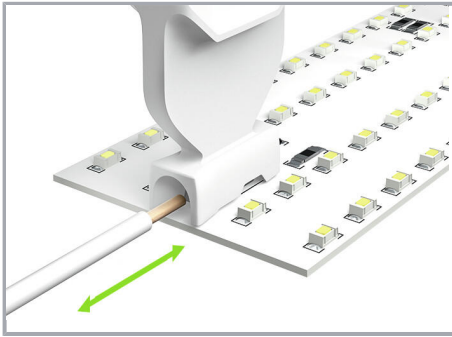
	URL	Download
Environmental Product Compliance 2065-100/998-403		
SMD PCB terminal block; push-button; 0.75 mm <sup>2</sup> ; Pin spacing 6.5 mm; 1-pole; Push-in CAGE CLAMP®; in tape-and-reel packaging; Without housing; 0,75 mm <sup>2</sup> ; silver-colored		

---

#### Installation Notes

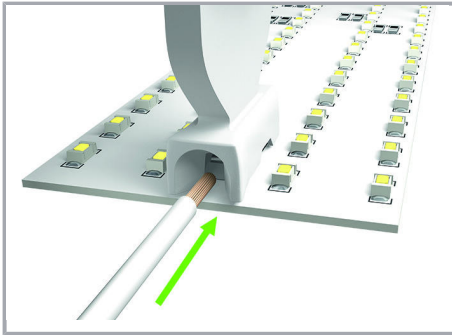
##### Conductor termination

Subject to changes. Please also observe the further product documentation!



Push-in CAGE CLAMP® variant: Insert fine-stranded conductors and remove all conductor types via operating tool. Solid conductors can also be terminated by simply pushing them in.

#### Conductor termination



The 2065-189 Operating Tool's funneled conductor entry securely guides all conductor types into the Push-in CAGE CLAMP®.

Subject to changes. Please also observe the further product documentation!