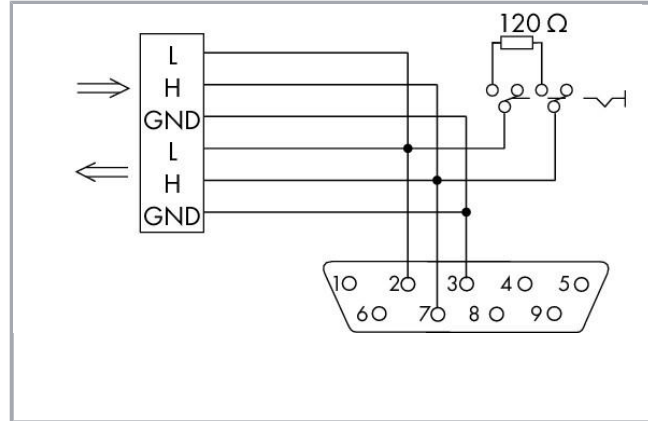
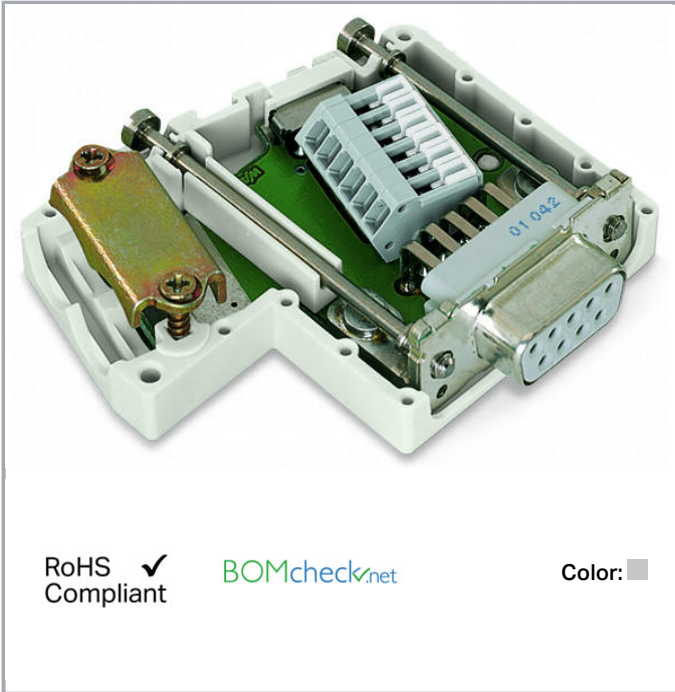


Data sheet | Item number: 750-963

Fieldbus Connector CANopen; with D-sub female connector; 9-pole; light gray



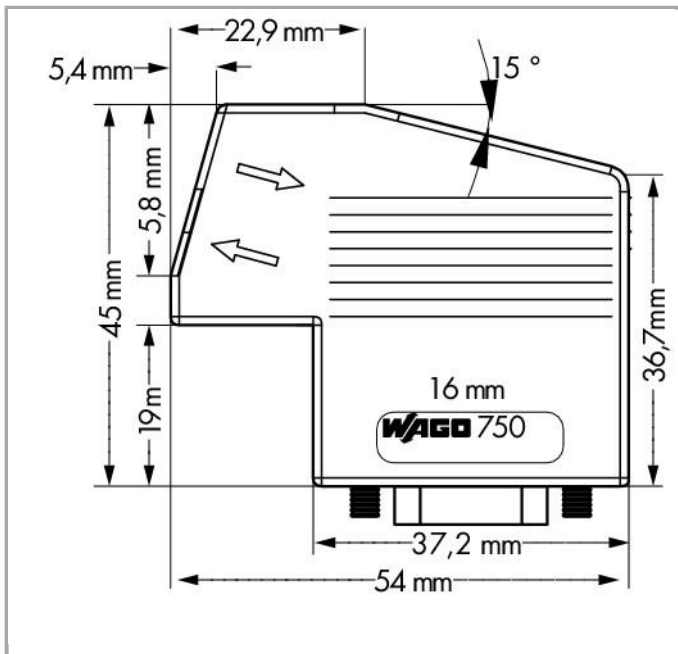
www.wago.com/750-963



RoHS Compliant

[BOMcheck.net](https://www.bomcheck.net)

Color:



Subject to changes.

WAGO Kontakttechnik GmbH & Co. KG
Hansastr. 27
32423 Minden
Phone: +49571 887-0 | Fax: +49571 887-169
Email: info.de@wago.com | Web: www.wago.com

Do you have any questions about our products?
We are always happy to take your call at +49 (571) 887-44222.

Item description

The fieldbus connector links a CANopen device to a CANopen line.

The fieldbus connector has the following features:

- 2 horizontal cable entries. One input and one output.
- Fast and maintenance-free CAGE CLAMP[®] connection, can be held in the open position with the help of an actuation slide mechanism.
- Externally operable switch to activate and/or deactivate the network terminating resistor.

For the first and last station on the bus, the switch must be set to "ON" (terminating resistor activated). Switch setting to "OFF" for the intermediate stations on the bus (terminating resistor deactivated).

Data

Technical Data

Connection type	Buchse D-Sub 9
No. of poles	9
Communication/Fieldbus	CANopen
Baud rate	10 kBd ... 1 MBd (entsprechend CANopen-Spezifikation)

Connection data

Connection type (1)	CAGE CLAMP [®] terminal strip with locking slide (series 218)
Solid conductor	0.08 ... 0.5 mm ² / 28 ... 20 AWG
Strip length	5 ... 6 mm / 0.2 ... 0.24 inch

Geometrical Data

Width	45 mm / 1.772 inch
Height	16 mm / 0.63 inch
Depth	54 mm / 2.126 inch

Mechanical data

Connectable sheathed cable diameter	4.5 ... 9.5 mm
Leitungseinführungen, Anzahl	2
Housing material	PA66-105-V2
Weight	27.6 g
Color	light gray

Subject to changes.

Environmental Requirements

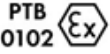

Surrounding air (operating) temperature	0 ... 60 °C
Surrounding air (storage) temperature	-25 ... 85 °C
Protection class	IP20
Relative air humidity (no condensation)	95 %
Vibration resistance	4g per IEC 60068-2-6
Fire load	0.95 MJ

Commercial data



Product Group	15 (Remote I/O)
Packaging type	bag
Country of origin	DE
GTIN	4045454344405
Customs Tariff No.	85366990990

Approvals / Certificates

Ex-Approvals

Logo	Approval	Additional Approval Text	Certificate name
	ATEX TUEV Nord Cert GmbH	EN 60079-0	TÜV 07 ATEX 554086 X en.
	TUEV Nord TUEV Nord Cert GmbH	IEC 60079-0	IECEX TUN 09.0001 X






Ship Approvals

Logo	Approval	Additional Approval Text	Certificate name
	ABS American Bureau of Shipping	-	19- HG1821926
	BV Bureau Veritas S.A.	-	30389/B0 BV


Subject to changes.

WAGO Kontakttechnik GmbH & Co. KG
Hansastr. 27
32423 Minden
Phone: +49571 887-0 | Fax: +49571 887-169
Email: info.de@wago.com | Web: www.wago.com

Do you have any questions about our products?
We are always happy to take your call at +49 (571) 887-44222.

	DNV GL Det Norske Veritas, Germanischer Lloyd	-	TAA0000194
	KR Korean Register of Shipping	-	KR HMB05880- AC001
	LR Lloyds Register	-	02/20026 (E6)
	NK Nippon Kaiji Kyokai	-	TA17255M
	PRS Polski Rejestr Statków	-	TE/2236 /880590/19
	RINA RINA Germany GmbH	-	ELE066419XG

UL-Approvals

Logo	Approval	Additional Approval Text	Certificate name
	UL UL International Netherlands B.V. (ORDINARY LOCATIONS)	UL 508	E175199 Sec.1

**Downloads
Documentation**

Bid Text

750-963 doc - Datei	Oct 6, 2017	doc 25.1 kB	Download
750-963 X81 - Datei	Feb 19, 2019	xml 4.6 kB	Download

Subject to changes.



Additional Information

Disposal; Electrical and electronic equipment, Packaging	V 1.0.0	pdf 265.8 kB	Download
--	---------	-----------------	----------

System Description

Overview on WAGO-I/O-SYSTEM 750 approvals		pdf 780.2 kB	Download
---	--	-----------------	----------

CAD/CAE-Data

CAD data

2D/3D Models 750-963		URL	Download
----------------------	--	-----	----------

CAE data

EPLAN Data Portal 750-963			Download
---------------------------	--	--	----------

WSCAD Universe 750-963			Download
------------------------	--	--	----------

Installation Notes

Subject to changes.