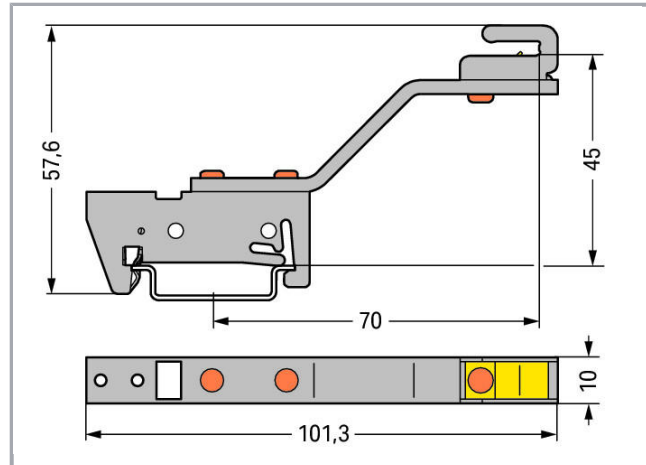
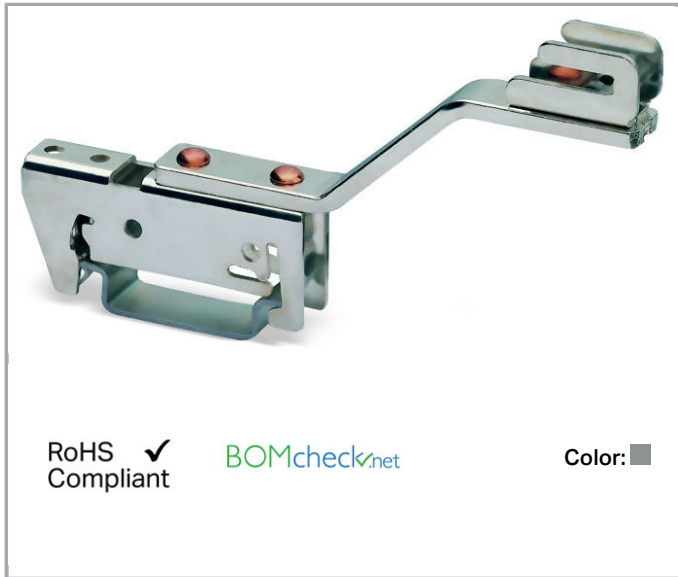


Data sheet | Item number: 790-301

Busbar carrier; for busbars Cu 10 mm x 3 mm; single side, angled; for DIN 35 rail; gray



www.wago.com/790-301



Data

Technical Data

Main product function

Shield termination

Material Data

Color	gray
Weight	39.6 g
Material	Steel coated

Commercial data

Product Group	2 (Terminal Block Accessories)
Packaging type	BOX
Country of origin	DE
GTIN	4045454415952
Customs tariff number	85389099990

Counterpart



Subject to changes. Please also observe the further product documentation!

WAGO Kontakttechnik GmbH & Co. KG
Hansastr. 27
32423 Minden
Phone: +49571 887-0 | Fax: +49571 887-169
Email: info.de@wago.com | Web: www.wago.com

Do you have any questions about our products?
We are always happy to take your call at +49 (571) 887-44222.

Compatible products

N-busbar

	Item no.: 210-133 Busbar; tin-plated; 1000 mm long; Cu 10 mm x 3 mm	www.wago.com/210-133
	Item no.: 790-134 Busbar; tin-plated; 50 mm long; Cu 10 mm x 3 mm	www.wago.com/790-134

Downloads

Documentation

Bid Text

790-301 GAEB X81 - Datei	Feb 19, 2019	xml 2.7 kB	Download
790-301 doc - Datei	Nov 28, 2018	doc 23.6 kB	Download

CAD/CAE-Data

CAD data

2D/3D Models 790-301	URL	Download
----------------------	-----	----------

CAE data

WSCAD Universe 790-301	URL	Download
ZUKEN Portal 790-301	URL	Download

Installation Notes

Subject to changes. Please also observe the further product documentation!