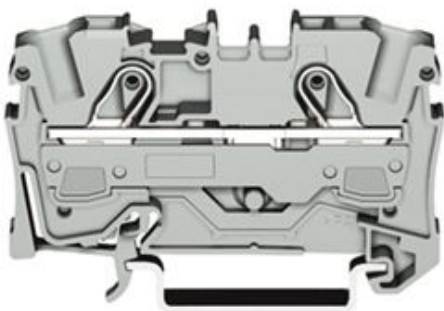

Item no.: 2010-1201
Product description: 2-CONDUCTOR THROUGH TERMINAL BLOCK SUITABLE FOR EX E APPLICATIONS



Produkt kann von Bild abweichen / product may differ

Packing unit 25 pieces

RoHS compliant

Current intensity EN	76 A
Product group	22 (TOPJOB S RAIL-MOUNTED TERMINAL BLOCKS)
Cross section [mm ²]	0.5 - 10 mm ²
Cross section [AWG]	20 - 6 AWG
Connection method	CAGE CLAMP®S Connection
Cross section [mm ²]	0.5 - 16 mm ²
Cross section [AWG]	20 - 6 AWG
Wiring method	e+f
Connection method	CAGE CLAMP®S Connection
Measured voltage EN	800 V
Measured shock voltage	8 kV
Pollution degree	3
Current intensity EN	57 A
Weight	16.9 g
Color	gray
Wiring type	Front-entry
No. of connection Points	2
No. of potentials	1

Height	37 mm
Height	1.46 in
Width	10 mm
Width	0.394 in



Depth	68 mm
Depth	2.68 in
Strip length from	17 mm
Strip length to	19 mm
Strip length	0.71 in
Customs Tariff No.	85369010
Country of Origin	Deutschland
Mounting	TS 35



Item no.	Admission office	Approval no.	Voltage [V]	Current [A]	Cross section [mm ²]
2010-1201	ABS	05-HG476175/3-PDA	800	57	0,5-16
2010-1201	AEX	E185892	550	65	20-6
2010-1201	CCA	NL6011	800	57/76	0,5-10/16
2010-1201	CSA	154112-1645436	600	65	20-6
2010-1201	DNV	E-10423	800	41	0,5-6
2010-1201	GL	26187-05HH	800	57	0,5-10
2010-1201	KEMA	2095948.02	800	57	0,5-16
2010-1201	LR	91/20112(E6)	800	57	0,5-10
2010-1201	PRS	TE/1718/880590/08	800	57	0,5-16
2010-1201	PTB	IECEXPTB06.0003U	550	51	0,5-16
2010-1201	PTB	PTB05AteX1070U	550	51	0,5-16
2010-1201	RosTest	8189158	550	51	0,5-16
2010-1201	UR	E45172	600	65	20-6

Sorting criteria: admission office - approval number

© WAGO Kontakttechnik GmbH & Co. KG

Specifications are subject to changes and errors may be expected