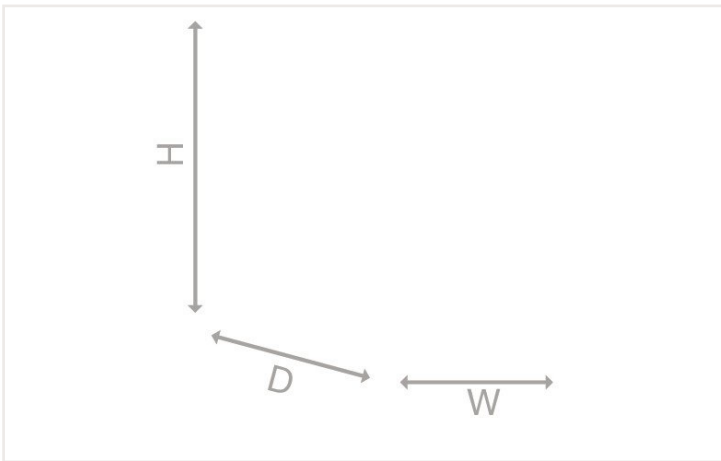
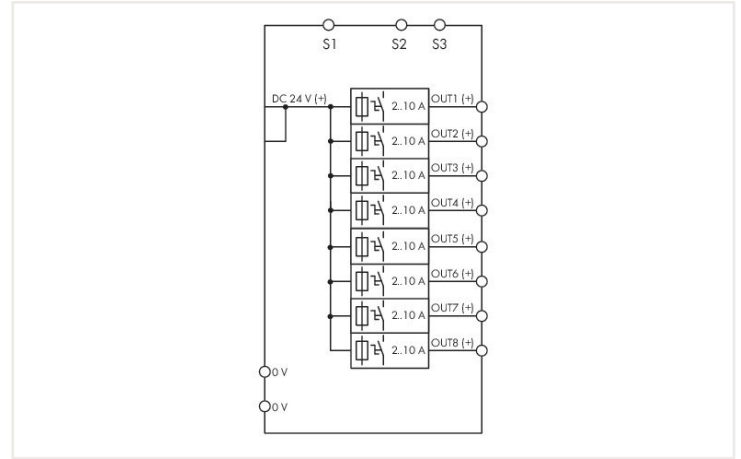


Data sheet | Item number: 787-1668

Electronic circuit breaker; 8-channel; 24 VDC input voltage; adjustable 2 ... 10 A;
communication capability; 10,00 mm²

<https://www.wago.com/787-1668>



Features:

- Space-saving ECB with eight channels
- Nominal current: 2 ... 10 A (adjustable for each channel via sealable selector switch)
- Switch-on capacity > 50000 μ F per channel
- One illuminated, three-colored button per channel simplifies switching (on/off), resetting, and on-site diagnostics
- Time-delayed switching of channels
- Tripped message (group signal)
- Status message for each channel via pulse sequence
- Remote input resets tripped channels or switches on/off any number of channels via pulse sequence

Technical data

Input

Nominal input voltage $U_{i, \text{nom}}$	DC 24 V
Input voltage range	DC 18 ... 30 V

Output

Total number of channels (module)	8
Nominal output voltage $U_{o, nom}$	8 x DC 24 V
Output voltage range	DC 18 ... 30 V (U_e – voltage drop)
Voltage drop	≤ 200 mV (Input (+))
Nominal output current $I_{o, nom}$	8 x 2 / 3 / 4 / 6 / 8 / 10 A (adjustable for each channel via selector switch)
Default setting	DC 10 A; switched on
Switch-on capacity	
Switch-on behavior	Time-delayed channel switching (load-dependent, min. 50 ms / max. 5 s)
Active current limitation	No

Efficiency/power losses

Power loss P_l	≤ 1.3 W; ≤ 20 W (8 x 10 A)
Efficiency (typ.)	99 %

Safety and protection

Isolation voltage (connectors – housing)	DC 0.5 kV
Protection class	III
Protection type	IP20
Note on protection type	per EN 60529
Reverse voltage protection	No
Resistance to reverse feed	≤ DC 35 V
Pollution degree	2
Transient suppression (primary)	Suppressor diode (33 V)
Parallel operation of single channels	not permitted
Series operation	No
MTBF	

Signaling and communication

Signaling	8 x LED (green/red/orange) 1 x Remote control input (S1) 2 x Active signal output (S2; S3)
Operation status indicator	Green LED (channel OK) Red LED (tripped channel)
Remote input	Reactivation of all tripped channels via 15 ... 30 VDC pulse for min. 500 ms Switching on/off any number of channels via pulse sequence

Circuit protection

Internal fuse	T 15 A per channel
---------------	--------------------

Connection data

Connection type 1	Input (+)
Connection technology	Push-in CAGE CLAMP®
WAGO connector	WAGO 831 Series
Solid conductor	0.5 ... 10 mm ² / 20 ... 8 AWG
Fine-stranded conductor	0.5 ... 10 mm ² / 20 ... 8 AWG
Strip length	13 ... 15 mm / 0.51 ... 0.59 inches
Connection type 2	Input (-); output; signaling
Connection technology	CAGE CLAMP®
WAGO connector 2	WAGO 721 Series
Solid conductor 2	0.08 ... 2.5 mm ² / 28 ... 12 AWG
Fine-stranded conductor 2	0.08 ... 2.5 mm ² / 28 ... 12 AWG
Strip length 2	8 ... 9 mm / 0.31 ... 0.35 inches

Physical data

Width	42 mm / 1.654 inches
Height	127 mm / 5 inches
Depth from upper-edge of DIN-rail	142.5 mm / 5.61 inches

Mechanical data

Mounting type	DIN-35 rail
---------------	-------------

Material data

Fire load	0.769 MJ
Weight	440 g

Environmental requirements

Ambient temperature (operation)	-25 ... +70 °C
Surrounding air temperature (storage)	-25 ... +85 °C
Relative humidity	5 ... 96 % (no condensation permissible)
Derating	≥ 50 °C (see instruction manual)

Standards and specifications

Conformity marking	CE
Standards/specifications	EN 61000-6-2 EN 61000-6-3 UL 508 UL 2367 DNV GL

Commercial data

Product Group	6 (Interface Electronics)
eCl@ss 10.0	27-37-18-02
eCl@ss 9.0	27-37-18-02
ETIM 7.0	EC001440
ETIM 6.0	EC001440
PU (SPU)	1 Stück
Packaging type	Box
Country of origin VKOrg Germany	DE
GTIN	4050821502593
Customs tariff number VKOrg Germany	85363010900

Approvals and certificates

Country specific Approvals



Approval	Standard	Certificate name
EAC Brjansker Zertifizierungs- stelle	TP TC 020/2011	EAC_Certificate_RU_C- DE.AM02.B.00115_19

Ship Approvals



Approval	Standard	Certificate name
DNV GL Det Norske Veritas, Ger- manischer Lloyd	-	TAA0000281

UL-Approvals



Approval	Standard	Certificate name
UL Underwriters Laboratories Inc.	UL 508	E255817
UR Underwriters Laboratories Inc.	UL 2367	E363438