

## VSSC

### VSSC6TRSLLD12VDC0.5A

**Weidmüller Interface GmbH & Co. KG**  
 Klingenbergstraße 26  
 D-32758 Detmold  
 Germany  
 Fon: +49 5231 14-0  
 Fax: +49 5231 14-292083  
 www.weidmueller.com



Similar to illustration

Overvoltage coupling along the conductor path may disturb or destroy sensitive signal inputs. It is important to provide protection in the immediate vicinity of I&C devices. Weidmüller's broad product range for the I&C sector offers products in a 2-piece, pluggable design and modular terminals for tension clamp or screw connection. These products are suitable for both binary and analogue signals. Weidmüller also offers other designs with integrated components such as gas discharge tubes or varistors. VARITECTOR stands for flexible and variable surge protection by Weidmüller, tested according to product standard IEC61643-21. The VARITECTOR series can be used in applications according to IEC 61643-22 / VDE 0845-3 for classes C1, C2, C3 and D1. The VARITECTOR SPC, SSC and MCZ OVP product families optimally combine electrical and mechanical properties. Size and easy handling play an important role. This surge protection is suited for confined spaces in industrial and process automation as well as in building automation applications.



#### General ordering data

Type	VSSC6TRSLLD12VDC0.5A
Order No.	<a href="#">1064380000</a>
Version	Surge protection for instrumentation and control, 12 V, 500 mA, IEC 61643-21
GTIN (EAN)	4032248829743
Qty.	10 pc(s).

**VSSC**  
**VSSC6TRSLLD12VDC0.5A**

**Weidmüller Interface GmbH & Co. KG**  
 Klingenbergstraße 26  
 D-32758 Detmold  
 Germany  
 Fon: +49 5231 14-0  
 Fax: +49 5231 14-292083  
 www.weidmueller.com

**Technical data****Dimensions and weights**

Width	6.2 mm	Width (inches)	0.244 inch
Height	88.5 mm	Height (inches)	3.484 inch
Depth	81 mm	Depth (inches)	3.189 inch
Net weight	45.4 g		

**Temperatures**

Humidity	5...96 %	Operating temperature, max.	70 °C
Operating temperature, min.	-40 °C	Storage temperature, max.	80 °C
Storage temperature, min.	-40 °C	Operating temperature	-40 °C...70 °C
Storage temperature	-40 °C...80 °C		

**Probability of failure**

λges	54	MTTF	2,114 Jahre
PFH in 1*10 <sup>-9</sup> per hour	1.8	SFF	96.67 %
SIL in compliance with IEC 61508	3		

**Environmental Product Compliance**

REACH SVHC	Lead 7439-92-1
------------	----------------

**Rated data UL**

Certificate No. (UL)	E311081	UL certificate	UL Zertifikat
----------------------	---------	----------------	---------------

**CSA protection data**

Gas group C	IIB	Gas group D	IIA
Gas groups A, B	IIC	Input current, max. I <sub>i</sub>	500 mA
Input voltage, max. U <sub>i</sub>	15 V	Internal capacity, max. C <sub>i</sub>	2 nF
Internal inductance, max. L <sub>i</sub>	0 μH		

**General data**

Colour	black	Design	Terminal
Isolating function	Yes	Optical function display	Yes
Protection degree	IP20	Rail	TS 35
Segment	Measurement - Monitoring - Setting	Testing option	Functional screw with test plug receptacle, connections 1, 2, 4, 5
UL 94 flammability rating	V-0	Version	Surge protection for measurement and control

**Insulation coordination acc. to EN 50178**

Pollution severity	2	Surge voltage category	III
--------------------	---	------------------------	-----

**VSSC**  
**VSSC6TRSLLD12VDC0.5A**

**Weidmüller Interface GmbH & Co. KG**  
 Klingenbergstraße 26  
 D-32758 Detmold  
 Germany  
 Fon: +49 5231 14-0  
 Fax: +49 5231 14-292083  
 www.weidmueller.com

**Technical data****Rated data IEC / EN**

Rated voltage (DC)	12 V	Voltage type	DC
Max. continuous voltage, $U_c$ (DC)	15 V	Discharge current, max. (8/20 $\mu$ s)	20 kA
Discharge current $I_n$ (8/20 $\mu$ s) wire-PE	2.5 kA	Discharge current $I_{max}$ (8/20 $\mu$ s) wire-PE	10 kA
Lightning test current $I_{imp}$ (10/350 $\mu$ s)	1 kA	Lightning test current, $I_{imp}$ (10/350 $\mu$ s)	1 kA
Fuse	0.5 A	Wire-PE	1 kA
Protection level $U_p$ (typ.)	$\leq 100$ V	Standards	IEC 61643-21
Insertion loss	732.08 kHz	Leakage current at $U_n$	3.2 mA
Overload - failure mode	Modus 2	Number of poles	1
Rated current $I_N$	500 mA	Pulse-reset capacity	$\leq 20$ ms
Signal transmission properties (-3 dB)	750 KHz	Requirements category acc. to IEC 61643-21	C2, C3, D1
Surge current-carrying capacity C3	10 A 10/1000 $\mu$ s	Surge current-carrying capacity C2	2.5 kA 8/20 $\mu$ s 5 kV 1.2/50 $\mu$ s
Volume resistance	1.8 $\Omega$ 10 %	Surge current-carrying capacity D1	1 kA 10/350 $\mu$ s

**Further details of approvals**

GOST certificate GOST-Zertifikat

**Connection data**

Type of connection	Screw connection	Tightening torque, min.	0.5 Nm
Tightening torque, max.	0.8 Nm	Clamping range, min.	0.5 mm <sup>2</sup>
Clamping range, max.	4 mm <sup>2</sup>	Wire cross-section, solid, min.	0.5 mm <sup>2</sup>
Wire cross-section, solid, max.	6 mm <sup>2</sup>	Conductor cross-section, flexible, AEH (DIN 46228-1), min.	0.5 mm <sup>2</sup>
Conductor cross-section, flexible, AEH (DIN 46228-1), max.	4 mm <sup>2</sup>	Connection cross-section, stranded, min.	0.5 mm <sup>2</sup>
Connection cross-section, stranded, max.	4 mm <sup>2</sup>		

**Classifications**

ETIM 6.0	EC000943	ETIM 7.0	EC000943
eClass 9.0	27-13-08-07	eClass 9.1	27-13-08-07
eClass 10.0	27-13-08-07	UNSPSC	30-21-19-21

**Approvals**

Approvals



ROHS Conform

**Downloads**

Approval/Certificate/Document of Conformity	<a href="#">SIL Paper</a> <a href="#">CE PAPER</a> <a href="#">Declaration of Conformity</a>
Brochure/Catalogue	<a href="#">CAT 4.4 ELECTR 16/17 EN</a>
Engineering Data	<a href="#">EPLAN, WSCAD</a>
Engineering Data	<a href="#">STEP</a>
User Documentation	<a href="#">Instruction sheet VSSC</a>

Creation date August 6, 2020 10:27:35 PM CEST

Catalogue status 24.07.2020 / We reserve the right to make technical changes.

**Data sheet**

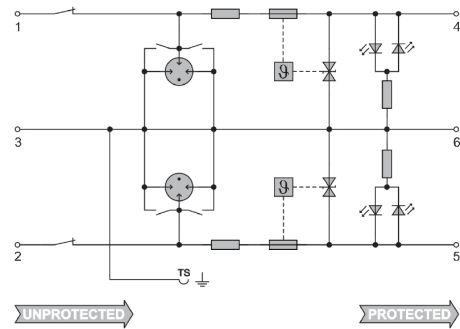
**VSSC**  
**VSSC6TRSLLD12VDC0.5A**

**Weidmüller Interface GmbH & Co. KG**  
Klingenbergstraße 26  
D-32758 Detmold  
Germany  
Fon: +49 5231 14-0  
Fax: +49 5231 14-292083  
www.weidmueller.com

**Drawings**



Similar to illustration



Circuit diagram

