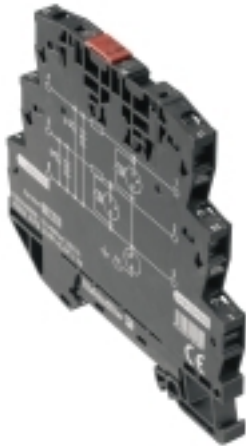


VSSC

VSSC6SL FG LD12VDC0.5A

Weidmüller Interface GmbH & Co. KG
 Klingenbergstraße 26
 D-32758 Detmold
 Germany
 Fon: +49 5231 14-0
 Fax: +49 5231 14-292083
 www.weidmueller.com



Similar to illustration

Overvoltage coupling along the conductor path may disturb or destroy sensitive signal inputs. It is important to provide protection in the immediate vicinity of I&C devices. Weidmüller's broad product range for the I&C sector offers products in a 2-piece, pluggable design and modular terminals for tension clamp or screw connection. These products are suitable for both binary and analogue signals. Weidmüller also offers other designs with integrated components such as gas discharge tubes or varistors. VARITECTOR stands for flexible and variable surge protection by Weidmüller, tested according to product standard IEC61643-21. The VARITECTOR series can be used in applications according to IEC 61643-22 / VDE 0845-3 for classes C1, C2, C3 and D1. The VARITECTOR SPC, SSC and MCZ OVP product families optimally combine electrical and mechanical properties. Size and easy handling play an important role. This surge protection is suited for confined spaces in industrial and process automation as well as in building automation applications.

General ordering data

| | |
|------------|------------------------------------------------------------------------------|
| Type | VSSC6SL FG LD12VDC0.5A |
| Order No. | 1064420000 |
| Version | Surge protection for instrumentation and control, 12 V, 500 mA, IEC 61643-21 |
| GTIN (EAN) | 4032248829781 |
| Qty. | 10 pc(s). |

Data sheet

VSSC VSSC6SL FG LD12VDC0.5A

Weidmüller Interface GmbH & Co. KG
 Klingenbergstraße 26
 D-32758 Detmold
 Germany
 Fon: +49 5231 14-0
 Fax: +49 5231 14-292083
 www.weidmueller.com

Technical data

Dimensions and weights

| | | | |
|------------|---------|-----------------|------------|
| Width | 6.2 mm | Width (inches) | 0.244 inch |
| Height | 88.5 mm | Height (inches) | 3.484 inch |
| Depth | 81 mm | Depth (inches) | 3.189 inch |
| Net weight | 42 g | | |

Temperatures

| | | | |
|-----------------------------|----------------|-----------------------------|----------------|
| Humidity | 5...96 % | Operating temperature, max. | 70 °C |
| Operating temperature, min. | -40 °C | Storage temperature, max. | 80 °C |
| Storage temperature, min. | -40 °C | Operating temperature | -40 °C...70 °C |
| Storage temperature | -40 °C...80 °C | | |

Probability of failure

| | | | |
|------------------------------------|-----|------|-------------|
| λges | 54 | MTTF | 2,114 Jahre |
| PFH in 1*10 ⁻⁹ per hour | 1.8 | SFF | 96.67 % |
| SIL in compliance with IEC 61508 | 3 | | |

Environmental Product Compliance

| | |
|------------|----------------|
| REACH SVHC | Lead 7439-92-1 |
|------------|----------------|

Rated data UL

| | | | |
|----------------------|---------|----------------|---------------|
| Certificate No. (UL) | E311081 | UL certificate | UL Zertifikat |
|----------------------|---------|----------------|---------------|

CSA protection data

| | | | |
|------------------------------------------|------|----------------------------------------|--------|
| Gas group C | IIB | Gas group D | IIA |
| Gas groups A, B | IIC | Input current, max. I _i | 500 mA |
| Input voltage, max. U _i | 15 V | Internal capacity, max. C _i | 2 nF |
| Internal inductance, max. L _i | 0 μH | | |

General data

| | | | |
|--------------------|-------------------------------------------------|---------------------------|----------|
| Colour | Black | Design | Terminal |
| Isolating function | No | Optical function display | Yes |
| Protection degree | IP20 | Rail | TS 35 |
| Segment | Measurement - Monitoring - Setting | UL 94 flammability rating | V-0 |
| Version | Surge protection for measurement and control | | |

Insulation coordination acc. to EN 50178

| | | | |
|--------------------|---|------------------------|-----|
| Pollution severity | 2 | Surge voltage category | III |
|--------------------|---|------------------------|-----|

VSSC

VSSC6SL FG LD12VDC0.5A

Weidmüller Interface GmbH & Co. KG
 Klingenbergstraße 26
 D-32758 Detmold
 Germany
 Fon: +49 5231 14-0
 Fax: +49 5231 14-292083
 www.weidmueller.com

Technical data

Rated data IEC / EN

| | | | |
|-----------------------------------------------|-----------------|----------------------------------------------|----------------------------------|
| Dielectric strength at FG against PE | ≥ 500 V | Discharge current I_{max} (8/20µs) GND-PE | 10 kA |
| Discharge current I_{max} (8/20µs) wire-PE | 10 kA | Discharge current I_n (8/20µs) GND-PE | 2.5 kA |
| Discharge current I_n (8/20µs) wire-PE | 2.5 kA | Discharge current, max. (8/20 µs) | 10 kA |
| Fuse | 0.5 A | Insertion loss | 732.08 kHz |
| Leakage current at U_n | 3.2 mA | Lightning test current I_{imp} (10/350 µs) | 1 kA |
| Lightning test current, I_{imp} (10/350 µs) | | Max. continuous voltage, U_c (DC) | |
| Wire-PE | 10 kA | | 15 V |
| Number of poles | 1 | Overload - failure mode | Modus 2 |
| Protection level U_p (typ.) | | Protection level on output side Wire-wire | |
| | ≤ 100 V | 1 kV/µs, typically | 30 V |
| Protection level, U_p GND - PE | 1,400 V | Pulse-reset capacity | ≤ 20 ms |
| Rated current I_N | 500 mA | Rated voltage (DC) | 12 V |
| Requirements category acc. to IEC 61643-21 | C2, C3, D1 | Signal transmission properties (-3 dB) | |
| Standards | | | 750 KHz |
| | IEC 61643-21 | Surge current-carrying capacity C2 | 2.5 kA 8/20 µs 5 kV 1.2/50 µs |
| Surge current-carrying capacity C3 | 10 A 10/1000 µs | Surge current-carrying capacity D1 | 1 kA 10/350 µs |
| Voltage type | DC | Volume resistance | 1.8 Ω 10 % |

Further details of approvals

GOST certificate GOST-Zertifikat

Connection data

| | | | |
|------------------------------------------------------------|-------------------|------------------------------------------------------------|---------------------|
| Type of connection | Screw connection | Tightening torque, min. | 0.5 Nm |
| Tightening torque, max. | 0.8 Nm | Clamping range, min. | 0.5 mm ² |
| Clamping range, max. | 4 mm ² | Wire cross-section, solid, min. | 0.5 mm ² |
| Wire cross-section, solid, max. | | Conductor cross-section, flexible, AEH (DIN 46228-1), min. | 0.5 mm ² |
| | 6 mm ² | Connection cross-section, stranded, min. | 0.5 mm ² |
| Conductor cross-section, flexible, AEH (DIN 46228-1), max. | 4 mm ² | | |
| Connection cross-section, stranded, max. | 4 mm ² | | |

Ratings IECEx/ATEX/cUL

cUL certificate cUL Certificate

Classifications

| | | | |
|-------------|-------------|------------|-------------|
| ETIM 6.0 | EC000943 | ETIM 7.0 | EC000943 |
| eClass 9.0 | 27-13-08-07 | eClass 9.1 | 27-13-08-07 |
| eClass 10.0 | 27-13-08-07 | UNSPSC | 30-21-19-21 |

Approvals

Approvals



ROHS Conform

Data sheet**VSSC**
VSSC6SL FG LD12VDC0.5A**Weidmüller Interface GmbH & Co. KG**
Klingenbergstraße 26
D-32758 Detmold
Germany
Fon: +49 5231 14-0
Fax: +49 5231 14-292083
www.weidmueller.com**Technical data****Downloads**

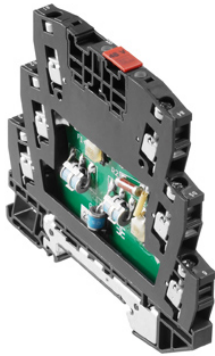
| | |
|---------------------------------------------|-------------------------------------------------------|
| Approval/Certificate/Document of Conformity | SIL Paper CE PAPER |
| Brochure/Catalogue | CAT 4.4 ELECTR 16/17 EN |
| Engineering Data | EPLAN, WSCAD |
| Engineering Data | STEP |
| User Documentation | Instruction sheet VSSC |

Data sheet

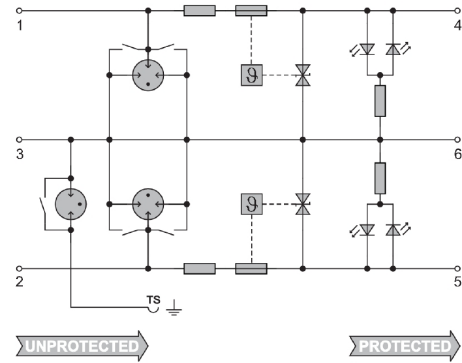
VSSC
VSSC6SL FG LD12VDC0.5A

Weidmüller Interface GmbH & Co. KG
 Klingenbergstraße 26
 D-32758 Detmold
 Germany
 Fon: +49 5231 14-0
 Fax: +49 5231 14-292083
 www.weidmueller.com

Drawings



Similar to illustration



Circuit diagram

