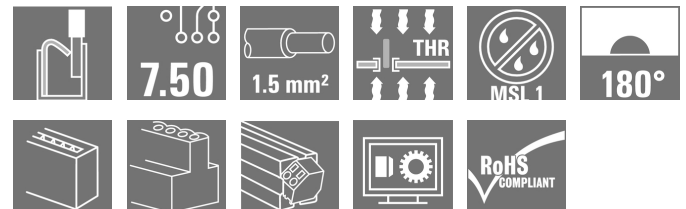
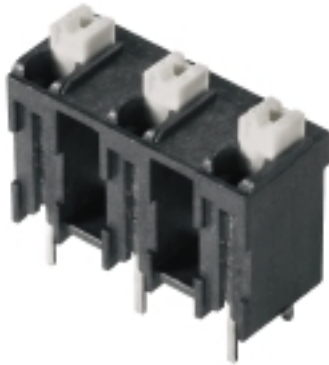


## OMNIMATE Signal - series LSF LSF-SMT 7.50/08/180 3.5SN BK TU

**Weidmüller Interface GmbH & Co. KG**  
Klingenbergstraße 16  
D-32758 Detmold  
Germany  
Fon: +49 5231 14-0  
Fax: +49 5231 14-292083  
www.weidmueller.com

### Product image



Similar to illustration

PCB terminal for fully automatic assembly in reflow soldering (SMT), with Push In conductor connection system. Conductor inserted and slider operated in same direction (TOP). Packed in box or as tape on reel. Pin lengths optimised at 1.5 mm or 3.5 mm.

### General ordering data

|              |  |
|--------------|--|
| Type         | LSF-SMT 7.50/08/180 3.5SN BK TU  |
| Order No.    | <a href="#">1826190000</a>   |
| Version      | PCB terminal, 7.50 mm, No. of poles: 8, 180°, Solder pin length (l): 3.5 mm, Black, PUSH IN, Clamping range, max.: 1.5 mm², Tube |
| GTIN (EAN)   | 4032248328895  |
| Qty.         | 9 pc(s).   |
| Product data | IEC: 800 V / 17.5 A / 0.2 - 1.5 mm²<br>UL: 300 V / 12 A / AWG 28 - AWG 14  |
| Packaging    | Tube   |

**OMNIMATE Signal - series LSF**  
**LSF-SMT 7.50/08/180 3.5SN BK TU**

**Weidmüller Interface GmbH & Co. KG**  
 Klingenbergstraße 16  
 D-32758 Detmold  
 Germany  
 Fon: +49 5231 14-0  
 Fax: +49 5231 14-292083  
 www.weidmueller.com

**Technical data****Dimensions and weights**

|                          |            |                 |            |
|--------------------------|------------|-----------------|------------|
| Width                    | 56.7 mm    | Width (inches)  | 2.232 inch |
| Height                   | 17.5 mm    | Height (inches) | 0.689 inch |
| Height of lowest version | 14 mm      | Depth           | 7.8 mm     |
| Depth (inches)           | 0.307 inch | Net weight      | 9.67 g     |

**System parameters**

|  |                              |  |                        |
|--|------------------------------|--|------------------------|
| Product family                             | OMNIMATE Signal - series LSF | Wire connection method                       | PUSH IN                |
| Mounting onto the PCB                      | THT/THR solder connection    | Conductor outlet direction                   | 180°                   |
| Pitch in mm (P)                            | 7.5 mm                       | Pitch in inches (P)                          | 0.295 inch             |
| No. of poles                               | 8                            | Fitted by customer                           | No                     |
| Solder pin length (l)                      | 3.5 mm                       | Solder pin length tolerance                  | 0 / -0.3 mm            |
| Solder pin dimensions                      | 0.35 x 0.8 mm                | Solder pin dimensions = d tolerance          | 0 / -0.1               |
| Solder eyelet hole diameter (D)            | 1.1 mm                       | Solder eyelet hole diameter tolerance (D)+   | 0,1 mm                 |
| Number of solder pins per pole             | 2                            | Stripping length                             | 8 mm                   |
| L1 in mm                                   | 52.5 mm                      | L1 in inches                                 | 2.067 inch             |
| Touch-safe protection acc. to DIN VDE 0470 | IP 20                        | Touch-safe protection acc. to DIN VDE 57 106 | Safe from finger touch |
| Volume resistance                          | 1.60 mΩ                      |  |                        |

**Material data**

|                                       |              |                                       |                     |
|---------------------------------------|--------------|---------------------------------------|---------------------|
| Insulating material                   | LCP GF       | Colour                                | Black               |
| Colour chart (similar)                | RAL 9011     | Insulating material group             | IIIa                |
| CTI                                   | ≥ 175        | Insulation resistance                 | ≥ 10 <sup>8</sup> Ω |
| Moisture Level (MSL)                  | 1            | UL 94 flammability rating             | V-0                 |
| Contact material                      | Copper alloy | Layer structure of solder connection  | 4-6 μm Sn matt      |
| Storage temperature, min.             | -25 °C       | Storage temperature, max.             | 55 °C               |
| Max. relative humidity during storage | 80 %         | Operating temperature, min.           | -50 °C              |
| Operating temperature, max.           | 120 °C       | Temperature range, installation, min. | -30 °C              |
| Temperature range, installation, max. | 120 °C       |                                       |                     |

**Conductors suitable for connection**

|   |                      |   |                      |
|---|----------------------|---|----------------------|
| Clamping range, min.                            | 0.13 mm <sup>2</sup> | Clamping range, max.                            | 1.5 mm <sup>2</sup>  |
| Wire connection cross section AWG, min.         | AWG 28               | Wire connection cross section AWG, max.         | AWG 14               |
| Solid, min. H05(07) V-U                         | 0.2 mm <sup>2</sup>  | Solid, max. H05(07) V-U                         | 1.5 mm <sup>2</sup>  |
| Flexible, min. H05(07) V-K                      | 0.2 mm <sup>2</sup>  | Flexible, max. H05(07) V-K                      | 1.5 mm <sup>2</sup>  |
| w. plastic collar ferrule, DIN 46228 pt 4, min. | 0.25 mm <sup>2</sup> | w. plastic collar ferrule, DIN 46228 pt 4, max. | 0.75 mm <sup>2</sup> |
| w. wire end ferrule, DIN 46228 pt 1, min.       | 0.25 mm <sup>2</sup> | w. wire end ferrule, DIN 46228 pt 1, max.       | 1.5 mm <sup>2</sup>  |

**OMNIMATE Signal - series LSF**  
**LSF-SMT 7.50/08/180 3.5SN BK TU**

**Weidmüller Interface GmbH & Co. KG**  
 Klingenbergstraße 16  
 D-32758 Detmold  
 Germany  
 Fon: +49 5231 14-0  
 Fax: +49 5231 14-292083  
 www.weidmueller.com


**Technical data****Rated data acc. to IEC**

|   |                        |   |                  |
|---|------------------------|---|------------------|
| tested acc. to standard   | IEC 60664-1, IEC 61984 | Rated current, min. no. of poles (Tu=20°C)                            | 17.5 A           |
| Rated current, max. no. of poles (Tu=20°C)                                | 17.5 A                 | Rated current, min. no. of poles (Tu=40°C)                            | 17.5 A           |
| Rated current, max. no. of poles (Tu=40°C)                                | 15 A                   | Rated voltage for surge voltage class / pollution degree II/2         | 800 V            |
| Rated voltage for surge voltage class / pollution degree III/2            | 630 V                  | Rated voltage for surge voltage class / pollution degree III/3        | 500 V            |
| Rated impulse voltage for surge voltage class/ pollution degree II/2      | 6 kV                   | Rated impulse voltage for surge voltage class/ pollution degree III/2 | 6 kV             |
| Rated impulse voltage for surge voltage class/ contamination degree III/3 | 6 kV                   | Short-time withstand current resistance                               | 3 x 1s with 80 A |

**Rated data acc. to CSA**

|                                   |        |                                   |        |
|-----------------------------------|--------|-----------------------------------|--------|
| Rated voltage (Use group B / CSA) | 300 V  | Rated voltage (Use group C / CSA) | 150 V  |
| Rated voltage (Use group D / CSA) | 300 V  | Rated current (Use group B / CSA) | 10 A   |
| Rated current (Use group C / CSA) | 10 A   | Rated current (Use group D / CSA) | 10 A   |
| Wire cross-section, AWG, min.     | AWG 28 | Wire cross-section, AWG, max.     | AWG 14 |

**Rated data acc. to UL 1059**

|                                       |   |                                       |        |
|---------------------------------------|---|---------------------------------------|--------|
| Institute (cURus)                     |  | Certificate No. (cURus)               | E60693 |
| Rated voltage (Use group B / UL 1059) | 300 V   | Rated voltage (Use group C / UL 1059) | 150 V  |
| Rated voltage (Use group D / UL 1059) | 300 V   | Rated current (Use group B / UL 1059) | 12 A   |
| Rated current (Use group C / UL 1059) | 10 A  | Rated current (Use group D / UL 1059) | 10 A   |
| Wire cross-section, AWG, min.         | AWG 28  | Wire cross-section, AWG, max.         | AWG 14 |
| Reference to approval values          | Specifications are maximum values, details - see approval certificate.              |                                       |        |

**Packaging**

|                    |                               |            |        |
|--------------------|-------------------------------|------------|--------|
| Packaging          | Tube                          | VPE length | 12 mm  |
| VPE width          | 20 mm                         | VPE height | 556 mm |
| Surface resistance | $R_s = 10^9 - 10^{12} \Omega$ |            |        |

**Classifications**

|            |             |            |             |
|------------|-------------|------------|-------------|
| ETIM 3.0   | EC001284    | ETIM 4.0   | EC002643    |
| ETIM 5.0   | EC002643    | ETIM 6.0   | EC002643    |
| UNSPSC     | 30-21-18-01 | eClass 6.2 | 27-26-11-01 |
| eClass 7.1 | 27-44-04-01 | eClass 8.1 | 27-44-04-01 |
| eClass 9.0 | 27-44-04-01 | eClass 9.1 | 27-44-04-01 |

## OMNIMATE Signal - series LSF LSF-SMT 7.50/08/180 3.5SN BK TU

**Weidmüller Interface GmbH & Co. KG**  
 Klingenbergstraße 16  
 D-32758 Detmold  
 Germany  
 Fon: +49 5231 14-0  
 Fax: +49 5231 14-292083  
 www.weidmueller.com

# Technical data

### Notes

- |       |  |
|-------|--|
| Notes | <ul style="list-style-type: none"> <li>• Additional push button colours on request</li> <li>• Operating force of slider max. 40 N</li> <li>• Rated current related to rated cross-section &amp; min. No. of poles.</li> <li>• Wire end ferrule with plastic collar to DIN 46228/4</li> <li>• Wire end ferrule without plastic collar to DIN 46228/1</li> <li>• P on drawing = pitch</li> <li>• Rated data refer only to the component itself. Clearance and creepage distances to other components are to be designed in accordance with the relevant application standards.</li> <li>• Crimping shape "A" for wire end ferrules with PZ 6/5 crimping tool are recommended for the largest cable sizes.</li> </ul> |
|-------|--|

|                |  |
|----------------|--|
| IPC conformity | Conformity: The products are developed, manufactured and delivered according international recognized standards and norms and comply with the assured properties in the data sheet resp. fulfill decorative properties in accordance with IPC-A-610 "Class 2". Further claims on the products can be evaluated on request. |
|----------------|--|

### Approvals

Approvals



|      |         |
|------|---------|
| ROHS | Conform |
|------|---------|

### Downloads

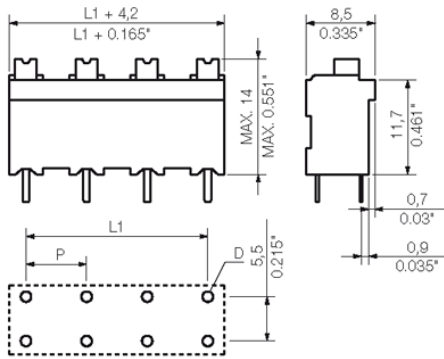
|   |  |
|---|--|
| Approval/Certificate/Document of Conformity | <a href="#">Declaration of the Manufacturer</a>  |
| Brochure/Catalogue                          | <a href="#">FL DRIVES EN</a><br><a href="#">FL ANALO.SIGN.CONV. EN</a><br><a href="#">MB SMT EN</a><br><a href="#">FL DRIVES DE</a><br><a href="#">MB DEVICE MANUF. EN</a><br><a href="#">CAT 2 PORTFOLIOGUIDE EN</a><br><a href="#">FL BUILDING SAFETY EN</a><br><a href="#">FL APPL LED LIGHTING EN</a><br><a href="#">FL INDUSTR.CONTROLS EN</a><br><a href="#">FL MACHINE SAFETY EN</a><br><a href="#">FL HEATING ELECTR EN</a><br><a href="#">FL APPL INVERTER EN</a><br><a href="#">FL_BASE_STATION_EN</a><br><a href="#">FL ELEVATOR EN</a><br><a href="#">FL POWER SUPPLY EN</a><br><a href="#">FL 72H SAMPLE SER EN</a><br><a href="#">PO OMNIMATE EN</a> |
| Engineering Data                            | <a href="#">EPLAN_WSCAD</a>  |
| Engineering Data                            | <a href="#">LSF-SMT.zip</a><br><a href="#">STEP</a>  |
| SMT white paper                             | <a href="#">Download Whitepaper</a>  |

**OMNIMATE Signal - series LSF**  
**LSF-SMT 7.50/08/180 3.5SN BK TU**

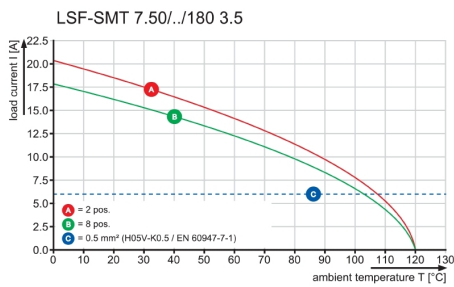
**Weidmüller Interface GmbH & Co. KG**  
 Klingenbergstraße 16  
 D-32758 Detmold  
 Germany  
 Fon: +49 5231 14-0  
 Fax: +49 5231 14-292083  
 www.weidmueller.com

**Drawings**

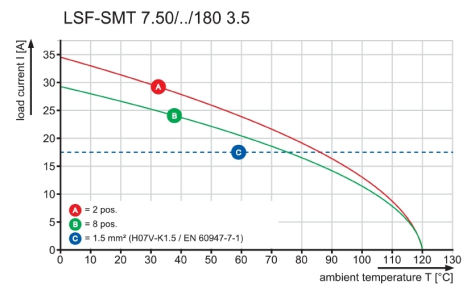
**Dimensional drawing**



**Graph**

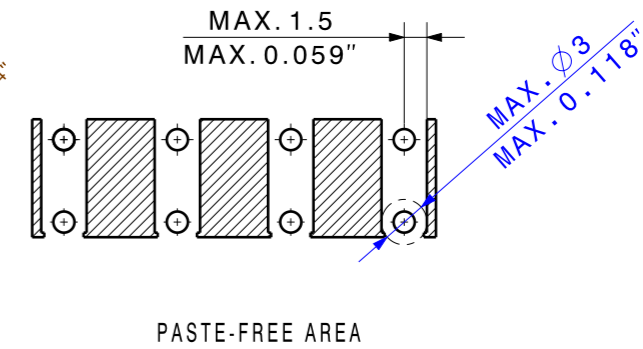
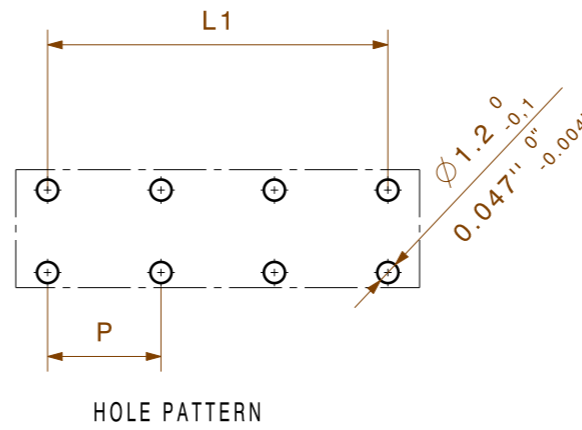
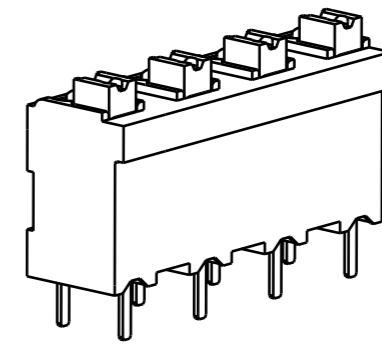
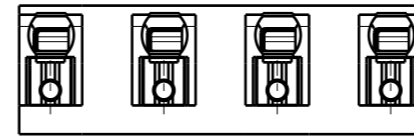
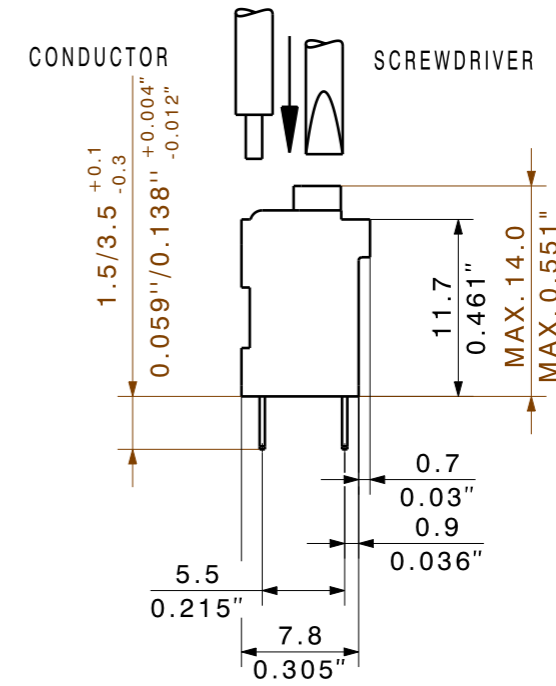
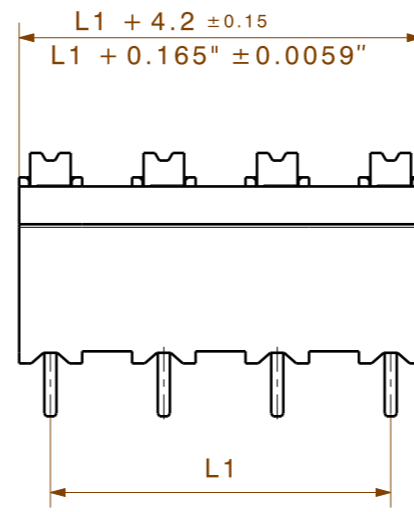


**Graph**



The reproduction, distribution and utilization of this document as well as the communication of its contents to others without explicit authorization is prohibited. Offenders will be held liable for the payment of damages. Weidmüller exclusively reserves the right to file for patents, utility models or designs.

© Weidmüller Interface GmbH & Co. KG



P = 7.50

SHOWN: LSF-SMT 7.50/04/180

|   |         |           |
|---|---------|-----------|
| 8 | 52,50   | 2,067     |
| 7 | 45,00   | 1,772     |
| 6 | 37,50   | 1,476     |
| 5 | 30,00   | 1,181     |
| 4 | 22,50   | 0,886     |
| 3 | 15,00   | 0,591     |
| 2 | 7,50    | 0,295     |
| n | L1 [mm] | L1 [Inch] |

For the mounting on PCBs, it should be noted that the rated data relates only to the PCB components alone. The necessary creepage and clearance paths must be observed in the relevant equipment standards in accordance with IEC 664 / VDE 0110. The current-carrying capacity and pitch tolerance is to be determined according to DIN IEC 326 part 3.

Weidmüller PCB components are rated in accordance with the DIN EN 61984 standard, and are valid for its field of application. If the components are used in accordance with the intended purpose, the components will meet all requirements with respect to the occurring of electrical, mechanical, thermic and corrosive stress.

|               |                |                                 |                       |   |  |
|---------------|----------------|---------------------------------|-----------------------|---|--|
|               | DIN ISO 2768-m | 98688/5<br>23.10.17 HELIS_MA 00 |                       | Cat.no.: .  |  |
|               |                | Modification                    |                       |   |  |
|               | Drawn          | 22.06.2004                      | SEIDEL_T              | <b>3 34084</b> <span style="border: 1px solid black; border-radius: 50%; padding: 2px;">15</span> |  |
|               | Responsible    |                                 | KRUG_M                | Drawing no. <span style="float: right;">Issue no.</span><br>Sheet 05 of 07 sheets                 |  |
|               | Checked        | 01.11.2017                      | HELIS_MA              | <b>LSF-SMT .../.../180...TU</b><br>LEITERPLATTENKLEMME<br>PCB TERMINAL                            |  |
| Supersedes: . |                | HECKERT_M                       | Product file: LSF-SMT |   |  |

## Recommended wave soldering profiles

**Weidmüller Interface GmbH & Co. KG**  
 Klängenbergstraße 16  
 D-32758 Detmold  
 Germany  
 Fon: +49 5231 14-0  
 Fax: +49 5231 14-292083  
 www.weidmueller.com

### Single Wave:



### Double Wave:



### Wave soldering profiles

Wired connection elements should be processed in accordance with the DIN EN 61760-1 standard. We have included two recommendations for practical wave soldering profiles, with which Weidmüller PCB terminals and connectors are qualified.

When choosing a suitable profile for your application, the following factors also need to be considered:

- PCB thickness
- Proportion of Cu in the layers
- Single/double-sided assembly
- Product range
- Heating and cooling rates

The single and double wave profiles each indicate the recommended operating range, including the maximum soldering temperature of 260°C. In practice, the maximum soldering temperature is quite often well below the above maximum profile.

## Recommended reflow soldering profile

**Weidmüller Interface GmbH & Co. KG**  
 Klingenbergstraße 16  
 D-32758 Detmold  
 Germany  
 Fon: +49 5231 14-0  
 Fax: +49 5231 14-292083  
 www.weidmueller.com



### Reflow soldering profile

The perfect soldering profile for SMT Surface Mount Technology is one the most exiting question in SMT production. But there are more than one correct answer: The diagram of temperature-on-time is related to processing features of solder paste and to maximum load of components.

We have to consider the following parameters:

- Time for pre heating
- Maximum temperature
- Time above melting point
- Time for cooling
- Maximum heating rate
- Maximum cooling rate

We recommend a typical solder profile with associated process limits. With preheating components and board are prepared smoothly for the solder phase. Heating rate is typically  $\leq +3\text{K/s}$ . In parallel the solder paste is ‚activated‘. The time above melting point of 217°C the paste gets liquid and components and boards begin to connect. The maximum temperature of 245°C to 254°C should stay between 10 and 40 seconds. In the cooling phase at  $\geq -6\text{K/s}$  solder is cured. Board and components cool down while avoiding cold cracks.