

**RIDERSERIES RCM
RCM270024**

Weidmüller Interface GmbH & Co. KG
Klingenbergstraße 26
D-32758 Detmold
Germany
Fon: +49 5231 14-0
Fax: +49 5231 14-292083
www.weidmueller.com

Product image

Similar to illustration

Standard relays in the RIDERSERIES RCM

- 2 CO contacts
- Optionally AC or DC coils
- with test button
- Comes optionally with integrated status display and/or free-wheel diode

General ordering data

Type	RCM270024
Order No.	8689860000
Version	RIDERSERIES RCM, Relay, Number of contacts: 2 CO contact with test button AgNi 90/10, Rated control voltage: 24 V DC, Continuous current: 12 A, Plug-in connection
GTIN (EAN)	4032248360536
Qty.	10 pc(s).

Creation date April 14, 2020 1:48:22 AM CEST

Catalogue status 03.04.2020 / We reserve the right to make technical changes.

**RIDERSERIES RCM
RCM270024**

Weidmüller Interface GmbH & Co. KG
 Klingenbergstraße 26
 D-32758 Detmold
 Germany
 Fon: +49 5231 14-0
 Fax: +49 5231 14-292083
 www.weidmueller.com

Technical data**Dimensions and weights**

Width	22.5 mm	Width (inches)	0.886 inch
Height	28 mm	Height (inches)	1.102 inch
Depth	29 mm	Depth (inches)	1.142 inch
Net weight	26.815 g		

Temperatures

Humidity	40 °C / 93 % rel. humidity, no condensation	Operating temperature, max.	70 °C
Operating temperature, min.	-40 °C	Storage temperature, max.	85 °C
Storage temperature, min.	-40 °C	Operating temperature	-40 °C...70 °C
Storage temperature	-40 °C...85 °C		

Rated data UL

Certificate No. (cURus)	E224238
-------------------------	---------

Input

Rated control voltage	24 V DC	Rated current DC	31.3 mA
Power rating	750 mW	Pull-in/drop-out voltage, typ.	18 V / 2.4 V DC
Coil resistance	777 Ω ± 10 %		

Output

Rated switching voltage	240 V AC	Max. switching voltage, AC	400 V
Continuous current	12 A	Inrush current	24 A / 20 ms
AC switching capacity (resistive), max.	3000 VA	DC switching capacity (resistive), max.	288 W @ 24 V
Switch-on delay	≤ 15 ms	Switch-off delay	≤ 10 ms
Min. switching power	1 mA @ 24 V, 10 mA @ 12 V, 100 mA @ 5 V	Max. switching frequency at rated load	0.1 Hz

Contact data

Contact type	2 CO contact with test button (AgNi 90/10)	Mechanical service life	AC coil 20 x 10 ⁶ switching cycles, DC coil 30 x 10 ⁶ switching cycles
--------------	--	-------------------------	--

General data

Test button	yes (lockable)	Mechanical switch position indicator	Yes
Colour	Transparent	UL 94 flammability rating	V-2

Insulation coordination

Rated voltage	250 V	Surge voltage category	III
Pollution severity	2	Insulating material group	IIIa
Protection degree	IP20	Dielectric strength, Input/Output	2.5 kV _{eff} / 1 Min.
Creepage and clearance distance input - output	≥ 4 mm	Dielectric strength of neighbouring contacts	2.5 kV _{eff} / 1 Min.
Dielectric strength of open contact	1.2 kV _{eff} / 1 min.	Impulse withstand voltage	5 kV (1.2/50 μs)

Data sheet

RIDERSERIES RCM RCM270024

Weidmüller Interface GmbH & Co. KG
 Klingenbergstraße 26
 D-32758 Detmold
 Germany
 Fon: +49 5231 14-0
 Fax: +49 5231 14-292083
 www.weidmueller.com

Technical data

Further details of approvals / standards

Standards	IEC 61810-1, UL508	Certificate No. (CSA)	249409-2426937
Certificate No. (cURus)	E224238		

Connection data

Wire connection method	Plug-in connection
------------------------	--------------------

Classifications

ETIM 6.0	EC001437	ETIM 7.0	EC001437
eClass 9.0	27-37-16-01	eClass 9.1	27-37-16-01
eClass 10.0	27-37-16-01	UNSPSC	30-21-19-17

Approvals

Approvals



ROHS	Conform
------	---------

Downloads

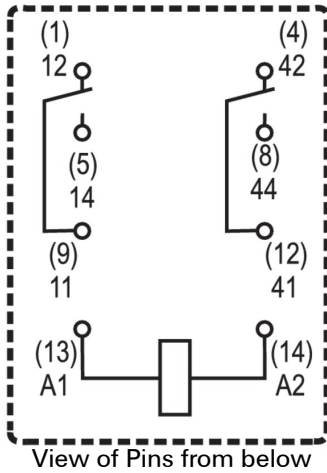
Approval/Certificate/Document of Conformity	EU Konformitätserklärung / EU Declaration of Conformity
Brochure/Catalogue	CAT 4.2 ELECTR 18/19 EN
Engineering Data	EPLAN, WSCAD
Engineering Data	STEP

**RIDERSERIES RCM
RCM270024**

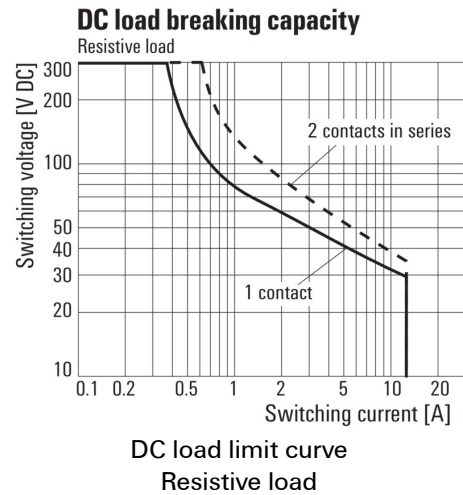
Weidmüller Interface GmbH & Co. KG
Klingenbergstraße 26
D-32758 Detmold
Germany
Fon: +49 5231 14-0
Fax: +49 5231 14-292083
www.weidmueller.com

Drawings

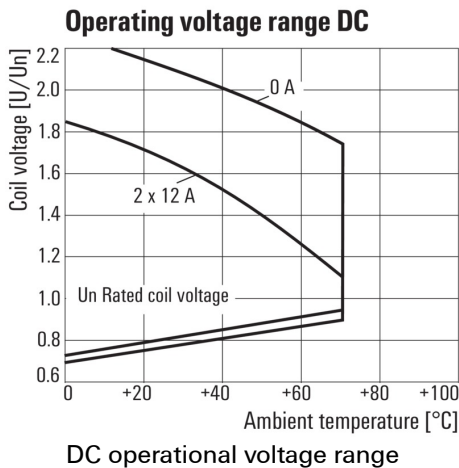
Wiring diagram



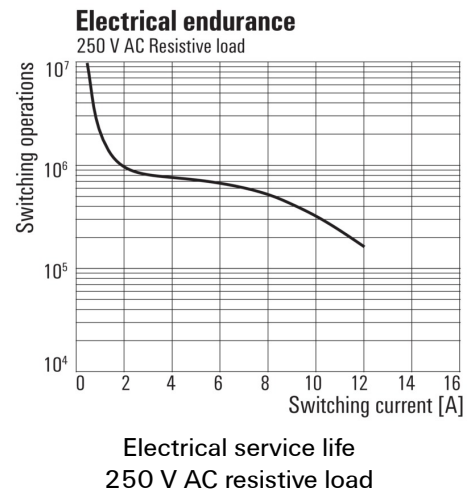
Graph



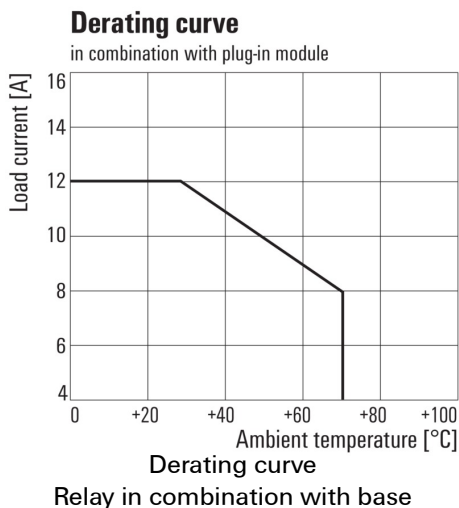
Graph



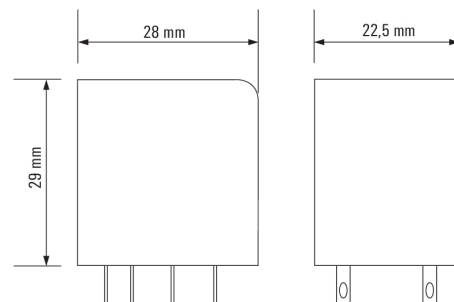
Graph



Graph



Dimensional drawing

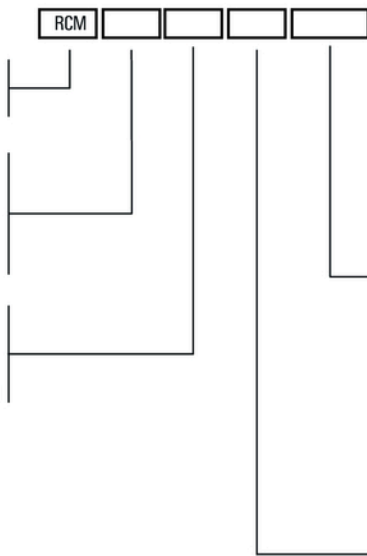


**RIDERSERIES RCM
RCM270024**

Weidmüller Interface GmbH & Co. KG
 Klingenbergstraße 26
 D-32758 Detmold
 Germany
 Fon: +49 5231 14-0
 Fax: +49 5231 14-292083
 www.weidmueller.com

Drawings

Miscellaneous

																																												
Type RIDER Control Multiple																																												
Type of contact 2 2CO 3 3CO 5 4CO																																												
Contact material 7 AgNi 90/10 with test button 8 AgNi 90/10 hgp, with test button																																												
		with with LED																																										
		<table border="0"> <tr> <td>Coil voltage</td> <td>LED</td> <td>+ diode</td> </tr> <tr> <td>006 6 V DC</td> <td>L06</td> <td></td> </tr> <tr> <td>012 12 V DC</td> <td>L12</td> <td>AB2</td> </tr> <tr> <td>024 24 V DC</td> <td>L24</td> <td>AC4</td> </tr> <tr> <td>048 48 V DC</td> <td>L48</td> <td>AE8</td> </tr> <tr> <td>060 60 V DC</td> <td>L60</td> <td></td> </tr> <tr> <td>110 110 V DC</td> <td>M10</td> <td>BBO</td> </tr> <tr> <td>220 220 V DC</td> <td>N20</td> <td></td> </tr> <tr> <td>506 6 V AC</td> <td>R06</td> <td></td> </tr> <tr> <td>512 12 V AC</td> <td>R12</td> <td></td> </tr> <tr> <td>524 24 V AC</td> <td>R24</td> <td></td> </tr> <tr> <td>548 48 V AC</td> <td>R48</td> <td></td> </tr> <tr> <td>615 115 V AC</td> <td>S15</td> <td></td> </tr> <tr> <td>730 230 V AC</td> <td>T30</td> <td></td> </tr> </table>	Coil voltage	LED	+ diode	006 6 V DC	L06		012 12 V DC	L12	AB2	024 24 V DC	L24	AC4	048 48 V DC	L48	AE8	060 60 V DC	L60		110 110 V DC	M10	BBO	220 220 V DC	N20		506 6 V AC	R06		512 12 V AC	R12		524 24 V AC	R24		548 48 V AC	R48		615 115 V AC	S15		730 230 V AC	T30	
Coil voltage	LED	+ diode																																										
006 6 V DC	L06																																											
012 12 V DC	L12	AB2																																										
024 24 V DC	L24	AC4																																										
048 48 V DC	L48	AE8																																										
060 60 V DC	L60																																											
110 110 V DC	M10	BBO																																										
220 220 V DC	N20																																											
506 6 V AC	R06																																											
512 12 V AC	R12																																											
524 24 V AC	R24																																											
548 48 V AC	R48																																											
615 115 V AC	S15																																											
730 230 V AC	T30																																											
		<table border="0"> <tr> <td>Type of construction</td> </tr> <tr> <td>0 Standard, 2,8mm Faston</td> </tr> </table>	Type of construction	0 Standard, 2,8mm Faston																																								
Type of construction																																												
0 Standard, 2,8mm Faston																																												

Type codes