

**RIDERSERIES RCM  
RCM270AB2**

**Weidmüller Interface GmbH & Co. KG**  
Klingenbergstraße 26  
D-32758 Detmold  
Germany  
Fon: +49 5231 14-0  
Fax: +49 5231 14-292083  
www.weidmueller.com

**Product image**

Similar to illustration

Standard relays in the RIDERSERIES RCM

- 2 CO contacts
- Relay with DC coil
- with test button
- With integrated status display and free-wheel diode

**General ordering data**

|            |  |
|------------|--|
| Type       | RCM270AB2  |
| Order No.  | <a href="#">8957020000</a>   |
| Version    | RIDERSERIES RCM, Relay, Number of contacts: 2 CO contact with test button AgNi 90/10, Rated control voltage: 12 V DC, Continuous current: 12 A, Plug-in connection |
| GTIN (EAN) | 4032248755295  |
| Qty.       | 10 pc(s).  |

Creation date June 13, 2020 4:10:53 PM CEST

Catalogue status 09.06.2020 / We reserve the right to make technical changes.

**RIDERSERIES RCM  
RCM270AB2**

**Weidmüller Interface GmbH & Co. KG**  
Klingenbergstraße 26  
D-32758 Detmold  
Germany  
Fon: +49 5231 14-0  
Fax: +49 5231 14-292083  
www.weidmueller.com

**Technical data**
**Dimensions and weights**

|            |         |                 |            |
|------------|---------|-----------------|------------|
| Width      | 22.5 mm | Width (inches)  | 0.886 inch |
| Height     | 28 mm   | Height (inches) | 1.102 inch |
| Depth      | 29 mm   | Depth (inches)  | 1.142 inch |
| Net weight | 29.7 g  |                 |            |

**Temperatures**

|                             |  |                             |                |
|-----------------------------|--|-----------------------------|----------------|
| Humidity                    | 40 °C / 93 % rel. humidity,<br>no condensation | Operating temperature, max. | 70 °C          |
| Operating temperature, min. | -40 °C   | Storage temperature, max.   | 85 °C          |
| Storage temperature, min.   | -40 °C   | Operating temperature       | -40 °C...70 °C |
| Storage temperature         | -40 °C...85 °C                                 |                             |                |

**Rated data UL**

|                         |         |
|-------------------------|---------|
| Certificate No. (cURus) | E224238 |
|-------------------------|---------|

**Input**

|                       |                     |                                |                |
|-----------------------|---------------------|--------------------------------|----------------|
| Rated control voltage | 12 V DC             | Rated current DC               | 62.5 mA        |
| Power rating          | 750 mW              | Pull-in/drop-out voltage, typ. | 9 V / 1.2 V DC |
| Coil resistance       | 192 Ω ± 10 %        | Status indicator               | Green LED      |
| Protective circuit    | Free-wheeling diode |                                |                |

**Output**

|   |   |   |              |
|---|---|---|--------------|
| Rated switching voltage                 | 240 V AC                                | Max. switching voltage, AC              | 400 V        |
| Continuous current                      | 12 A                                    | Inrush current                          | 24 A / 20 ms |
| AC switching capacity (resistive), max. | 3000 VA                                 | DC switching capacity (resistive), max. | 288 W @ 24 V |
| Switch-on delay                         | ≤ 15 ms                                 | Switch-off delay                        | < 20 ms      |
| Min. switching power                    | 1 mA @ 24 V, 10 mA @ 12 V, 100 mA @ 5 V | Max. switching frequency at rated load  | 0.1 Hz       |

**Contact data**

|              |  |                         |  |
|--------------|--|-------------------------|--|
| Contact type | 2 CO contact with test button (AgNi 90/10) | Mechanical service life | AC coil 20 x 10 <sup>6</sup> switching cycles, DC coil 30 x 10 <sup>6</sup> switching cycles |
|--------------|--|-------------------------|--|

**General data**

|             |                |                                      |     |
|-------------|----------------|--------------------------------------|-----|
| Test button | yes (lockable) | Mechanical switch position indicator | Yes |
| Colour      | Transparent    | UL 94 flammability rating            | V-2 |

**Insulation coordination**

|  |                                |  |                                |
|--|--------------------------------|--|--------------------------------|
| Rated voltage                                  | 250 V                          | Surge voltage category                       | III                            |
| Pollution severity                             | 2                              | Insulating material group                    | IIIa                           |
| Protection degree                              | IP20                           | Dielectric strength, Input/Output            | 2.5 kV <sub>eff</sub> / 1 Min. |
| Creepage and clearance distance input – output | ≥ 4 mm                         | Dielectric strength of neighbouring contacts | 2.5 kV <sub>eff</sub> / 1 Min. |
| Dielectric strength of open contact            | 1.2 kV <sub>eff</sub> / 1 min. | Impulse withstand voltage                    | 5 kV (1.2/50 μs)               |

## Data sheet

### RIDERSERIES RCM RCM270AB2

**Weidmüller Interface GmbH & Co. KG**  
 Klingenbergstraße 26  
 D-32758 Detmold  
 Germany  
 Fon: +49 5231 14-0  
 Fax: +49 5231 14-292083  
 www.weidmueller.com

## Technical data

### Further details of approvals / standards

|                         |                    |                       |                |
|-------------------------|--------------------|-----------------------|----------------|
| Standards               | IEC 61810-1, UL508 | Certificate No. (CSA) | 249409-2426937 |
| Certificate No. (cURus) | E224238            |                       |                |

### Connection data

|                        |                    |
|------------------------|--------------------|
| Wire connection method | Plug-in connection |
|------------------------|--------------------|

### Classifications

|             |             |            |             |
|-------------|-------------|------------|-------------|
| ETIM 6.0    | EC001437    | ETIM 7.0   | EC001437    |
| eClass 9.0  | 27-37-16-01 | eClass 9.1 | 27-37-16-01 |
| eClass 10.0 | 27-37-16-01 | UNSPSC     | 30-21-18-01 |

### Approvals

Approvals



|      |         |
|------|---------|
| ROHS | Conform |
|------|---------|

### Downloads

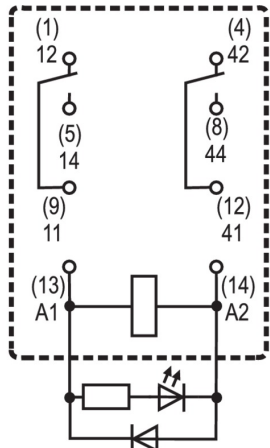
|   |   |
|---|---|
| Approval/Certificate/Document of Conformity | <a href="#">EU Konformitätserklärung / EU Declaration of Conformity</a> |
| Brochure/Catalogue                          | <a href="#">CAT 4.2 ELECTR 18/19 EN</a>                                 |
| Engineering Data                            | <a href="#">EPLAN, WSCAD</a>  |
| Engineering Data                            | <a href="#">STEP</a>  |

**RIDERSERIES RCM  
RCM270AB2**

**Weidmüller Interface GmbH & Co. KG**  
Klingenbergstraße 26  
D-32758 Detmold  
Germany  
Fon: +49 5231 14-0  
Fax: +49 5231 14-292083  
www.weidmueller.com

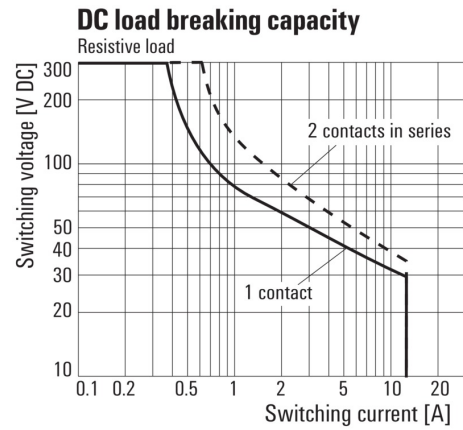
**Drawings**

**Wiring diagram**



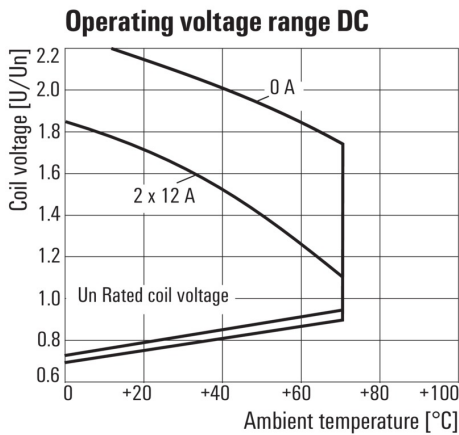
View of Pins from below

**Graph**



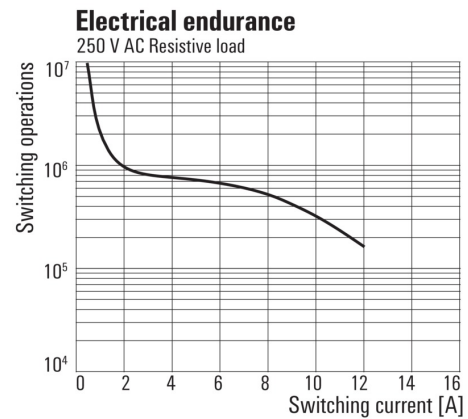
DC load limit curve  
Resistive load

**Graph**



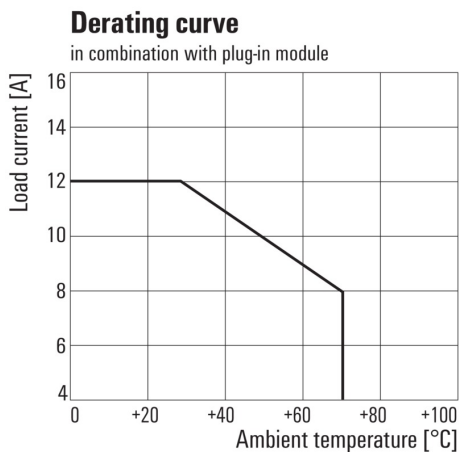
DC operational voltage range

**Graph**



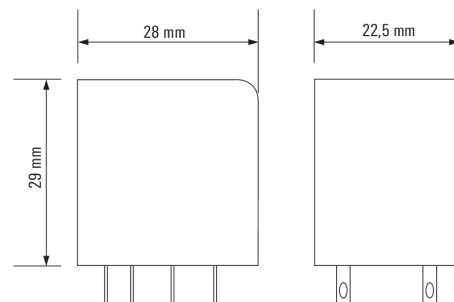
Electrical service life  
250 V AC resistive load

**Graph**



Derating curve  
Relay in combination with base

**Dimensional drawing**

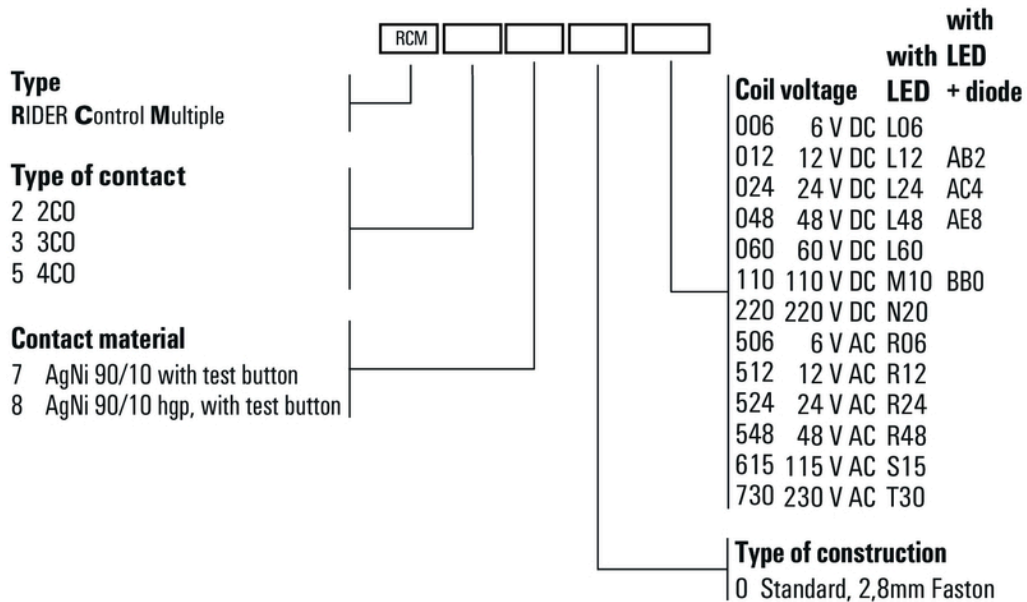


**RIDERSERIES RCM  
RCM270AB2**

**Weidmüller Interface GmbH & Co. KG**  
 Klingenbergstraße 26  
 D-32758 Detmold  
 Germany  
 Fon: +49 5231 14-0  
 Fax: +49 5231 14-292083  
 www.weidmueller.com

**Drawings**

**Miscellaneous**



Type codes