

**VSPC
VSPC CONTROL UNIT 24VDC**

Weidmüller Interface GmbH & Co. KG
Klingenbergstraße 26
D-32758 Detmold
Germany
Fon: +49 5231 14-0
Fax: +49 5231 14-292083
www.weidmueller.com



- Signalling module for all VSPCs with status indicator
- Signalling of cable breaks / signal interruptions
- Power supply of 20 to 31 V DC
- No-voltage changeover contact
- Function display with red/green LED
- Functional alerts with different signal types.

General ordering data

Type	VSPC CONTROL UNIT 24VDC
Order No.	8972270000
Version	Surge protection for instrumentation and control, 24 V, 50 mA, DIN EN 50178
GTIN (EAN)	4032248793488
Qty.	1 pc(s).

Creation date August 8, 2020 7:29:49 PM CEST

Catalogue status 24.07.2020 / We reserve the right to make technical changes.

VSPC
VSPC CONTROL UNIT 24VDC

Weidmüller Interface GmbH & Co. KG
 Klingenbergstraße 26
 D-32758 Detmold
 Germany
 Fon: +49 5231 14-0
 Fax: +49 5231 14-292083
 www.weidmueller.com

Technical data**Dimensions and weights**

Width	18 mm	Width (inches)	0.709 inch
Height	102 mm	Height (inches)	4.016 inch
Depth	71.5 mm	Depth (inches)	2.815 inch
Net weight	73.57 g		

Temperatures

Humidity	5...96 %	Operating temperature, max.	70 °C
Operating temperature, min.	-40 °C	Storage temperature, max.	80 °C
Storage temperature, min.	-40 °C	Operating temperature	-40 °C...70 °C
Storage temperature	-40 °C...80 °C		

Environmental Product Compliance

REACH SVHC	Lead 7439-92-1
------------	----------------

Rated data UL

Certificate No. (UL)	E311081	UL certificate	UL 497b Certificate
----------------------	---------	----------------	---------------------

CSA protection data

Gas group C	IIB	Gas group D	IIA
Gas groups A, B	IIC	Input current, max. I_I	50 mA
Input voltage, max. U_i	31 V	Internal capacity, max. C_I	100 μ F
Internal inductance, max. L_I	300 μ H		

General data

Colour	orange	Design	Installation housing
Protection degree	IP20	Rail	TS 35, TS 35 x 7.5
Segment	Measurement - Monitoring - Setting	Start-up time after fault correction	60 s
Version	with warning function / function indicator		

Insulation coordination acc. to EN 50178

Pollution severity	2	Surge voltage category	III
--------------------	---	------------------------	-----

Rated data IEC / EN

Rated voltage (DC)	24 V	Max. continuous voltage, U_c (DC)	30 V
Standards	DIN EN 50178	Number of poles	1
Operating current, I_{max}	50 mA	Operating voltage	24 V
Rated current I_N	50 mA	Signalling contact	No
Start-up time after fault correction	60 s		

Further details of approvals

GOST certificate	GOST-Zertifikat
------------------	-----------------

VSPC
VSPC CONTROL UNIT 24VDC

Weidmüller Interface GmbH & Co. KG
 Klingenbergstraße 26
 D-32758 Detmold
 Germany
 Fon: +49 5231 14-0
 Fax: +49 5231 14-292083
 www.weidmueller.com

Technical data**Diagnosis**

Operating status	LED green	Status indication	Green LED
Wire break detection	Red/green LED, flashing		

alarm output

Type	1 CO contact	Switching current	1 A
Switching voltage	250 V AC		

Connection data

Type of connection	Pluggable screw connection	Stripping length, rated connection	5 mm
Tightening torque, min.	0.5 Nm	Tightening torque, max.	0.5 Nm
Clamping range, min.	0.5 mm ²	Clamping range, max.	2.5 mm ²
Wire cross-section, solid, min.	0.5 mm ²	Wire cross-section, solid, max.	2.5 mm ²
Wire connection cross section, finely stranded, max.	1.5 mm ²	Conductor cross-section, flexible, AEH (DIN 46228-1), min.	0.5 mm ²
Conductor cross-section, flexible, AEH (DIN 46228-1), max.	2.5 mm ²	Connection cross-section, stranded, min.	0.5 mm ²
Connection cross-section, stranded, max.	1.5 mm ²		

Classifications

ETIM 6.0	EC000943	ETIM 7.0	EC000943
eClass 9.0	27-13-08-07	eClass 9.1	27-13-08-07
eClass 10.0	27-13-08-07	UNSPSC	30-21-19-21

Approvals

Approvals



ROHS Conform

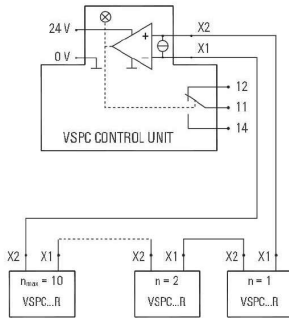
Downloads

Approval/Certificate/Document of Conformity	CE PAPER
Brochure/Catalogue	CAT 4.4 ELECTR 16/17 EN
Engineering Data	EPLAN_WSCAD
Engineering Data	STEP
User Documentation	Instruction sheet

**VSPC
VSPC CONTROL UNIT 24VDC**

Weidmüller Interface GmbH & Co. KG
 Klingenbergstraße 26
 D-32758 Detmold
 Germany
 Fon: +49 5231 14-0
 Fax: +49 5231 14-292083
 www.weidmueller.com

Drawings



Similar to illustration

Cate- gory	Testing pulse	Surge voltage	Surge current	Pulse	Type
C1	Quick-rising edge	0.5 - 2 kV with 1.2/50 µs	0.25 - 1 kA mit 8/20 µs	300	Surge voltage arrester
C2	Quick-rising edge	2 - 10 kV with 1.2/50 µs	1 - 5 kA mit 8/20 µs	10	Surge voltage arrester
C3	Quick-rising edge	≥ 1 kV with 1 kV/µs	10 - 100 A mit 10/10000 µs	300	Surge voltage arrester
D1	High power	≥ 1 kV	0.5 - 2.5 kA mit 10/350 µs	2	Arrester for lightning current and surge voltages

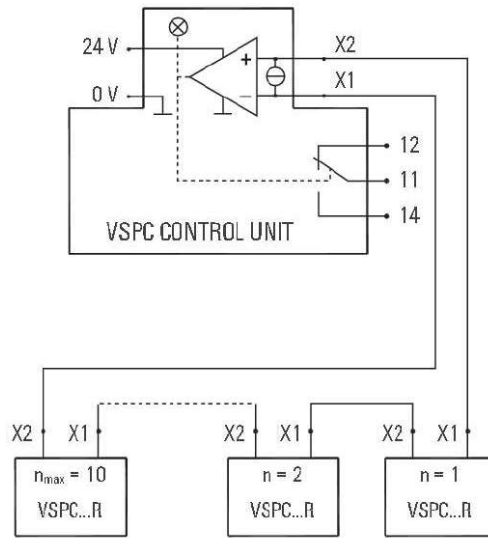
Discharge capacity

**VSPC
VSPC CONTROL UNIT 24VDC**

Weidmüller Interface GmbH & Co. KG
 Klingenbergstraße 26
 D-32758 Detmold
 Germany
 Fon: +49 5231 14-0
 Fax: +49 5231 14-292083
 www.weidmueller.com

Drawings

Op



Application example

