

**PLEASE CHECK WWW.MOLEX.COM FOR LATEST PART INFORMATION**

**Part Number:** [1210230433](#)  
**Status:** **Active**  
**Overview:** [mPm® DIN Valve Connectors](#)  
**Description:** mPm® DIN Valve Connector, Form C - Industrial, PG7 Internal Threads, 2 Pole Plus Ground Terminal, 250V AC/300V DC, Black Nitrile Gasket, Bulk Pack Mounted

**Documents:**

[Drawing \(PDF\)](#) [RoHS Certificate of Compliance \(PDF\)](#)  
[Packaging Specification PK-121023-C19-001 \(PDF\)](#)

**General**

Product Family	Field Attachable / Accessories
Series	<a href="#">121023</a>
Form	C - Industrial
IP Rating	IP65, IP67
Material - Contact	Brass
Overview	<a href="#">mPm® DIN Valve Connectors</a>
Product Name	mPm®
Type	Field Attachable Connector
UPC	883906249038

**Physical**

Cable Diameter	N/A
Coupling Type	Internal Thread
Diagnostics / LEDs	No
Diagnostics Port	No
Gender	N/A
Keyway	None
Material - Connector Body	Polypropylene
Material - Coupling Nut	N/A
Material - Plating Mating	Silver
Net Weight	10.307/g
Orientation	90° Angle
Pitch - Mating Interface	9.40mm
Poles	2
Temperature Range - Operating	-40°C to +90°C
Wire Size AWG	N/A

**Electrical**

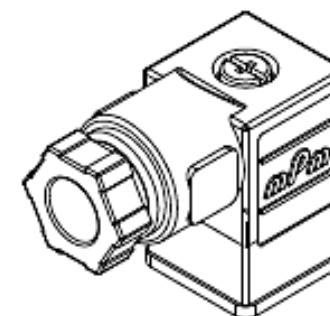
Current - Maximum per Contact	16.0A
Voltage - Maximum	250V AC / 300V DC

**Material Info**

Engineering Number	C19207N21
--------------------	-----------

**Reference - Drawing Numbers**

Packaging Specification	PK-121023-C19-001
Sales Drawing	SD-121023-005



*Series image - Reference only*

**EU ELV**

**Not Relevant**

**EU RoHS**

**Compliant with Exemption 6(c)**

**REACH SVHC**

Not Contained Per -ED/01/2017 (12 January 2017)

**Halogen-Free**

**Status**

**Low-Halogen**

**Need more information on product environmental compliance?**

Email [productcompliance@molex.com](mailto:productcompliance@molex.com)  
Please visit the [Contact Us](#) section for any non-product compliance questions.

China ROHS	50 Image
ELV	Not Relevant
RoHS Phthalates	Not Contained

**Search Parts in this Series**

[121023 Series](#)