

PLEASE CHECK WWW.MOLEX.COM FOR LATEST PART INFORMATION

Part Number: [130118-0014](#)
Status: **Active**
Overview: Aero-Motive® Box-Track Festoon Systems
Description: Box Track, Festoon Joint Bracket

Documents:

[RoHS Certificate of Compliance \(PDF\)](#)

General

Product Family	Festoons
Series	130118
Component Type	Clamp - Standard Joint
Depth	N/A
Duty	Heavy
Height	N/A
Length	N/A
Overview	Aero-Motive® Box-Track Festoon Systems
Product Name	Aero-Motive®
Type	Box Track
UPC	78678863186
Woodhead	Yes

Physical

Material - Coating	Zinc
Material - Metal	Galvanized Steel
Material - Wheel	Nylon
Net Weight	533.330/g
Packaging Type	Individual Carton
Saddle Radius	N/A
Thread Size	N/A
Travel Speed - Maximum	53.34 mpm (175 fpm)
Wire/Cable Type	N/A

Material Info

Old Part Number	5400JB
-----------------	--------

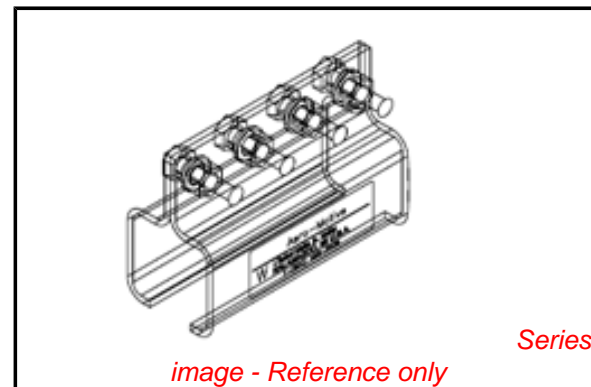


image - Reference only

EU RoHS

**ELV and RoHS
Compliant**
**REACH SVHC
Not Reviewed**
**Low-Halogen Status
Not Reviewed**

China RoHS



**Need more information on product
environmental compliance?**

Email productcompliance@molex.com
 For a multiple part number RoHS Certificate of
 Compliance, [click here](#)

Please visit the [Contact Us](#) section for any
 non-product compliance questions.

Search Parts in this Series
 130118Series

PLEASE CHECK WWW.MOLEX.COM FOR LATEST PART INFORMATION